

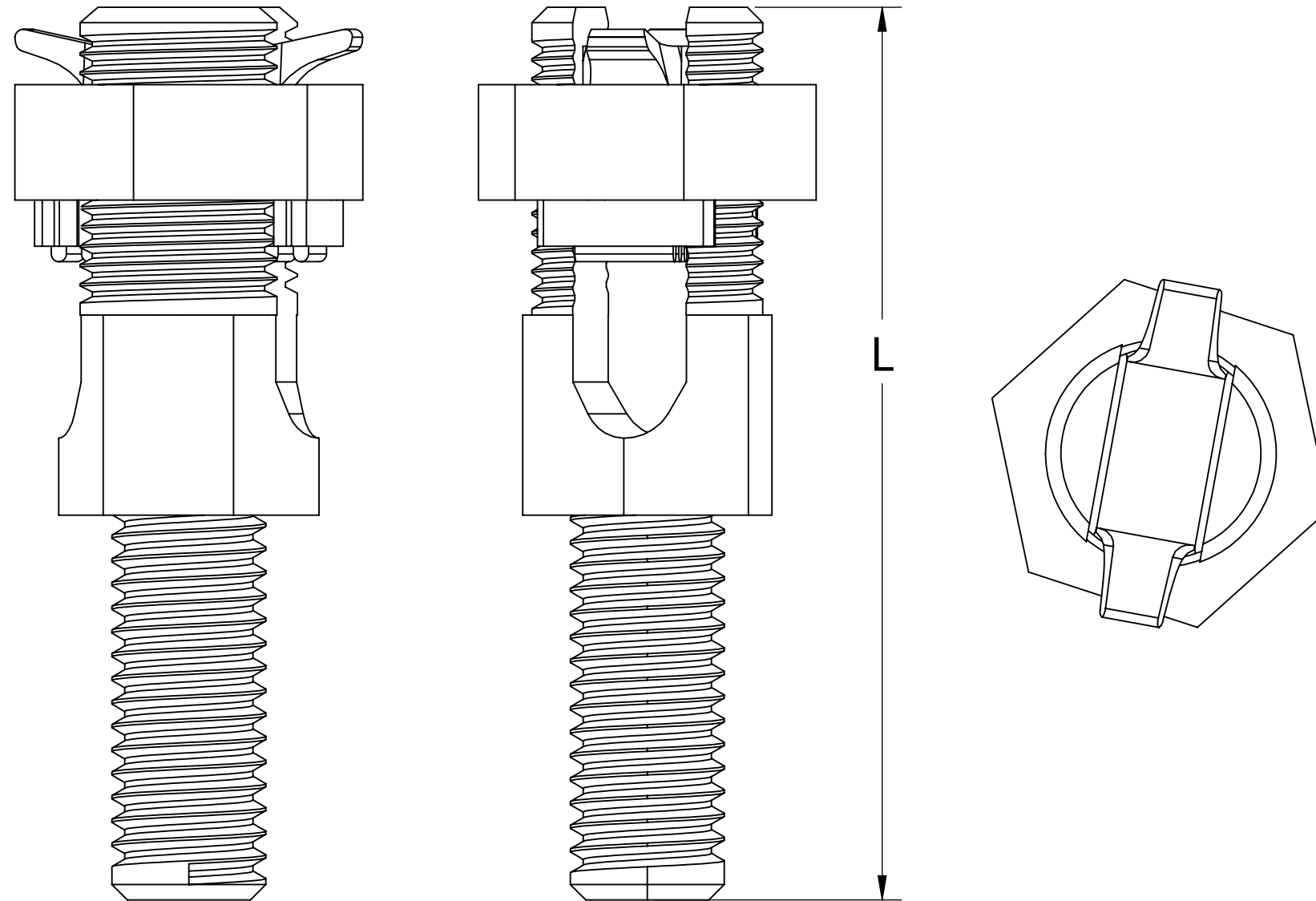
FEATURES:

1. Made from high copper content hard-drawn rod; used for connecting one or two conductors
2. Lay-in feature makes them excellent for continuous.
3. Loop grounding and bonding.
4. Used to ground to bar or plate.
5. Suitable for direct burial in earth or concrete.
6. UL Listed

SPM Series: One-WireType

POLARIS®

PROGRAM:	SOLIDWORKS
UPDATED:	09/2024
SALES REV:	A
SIZE:	B (11x17)



CAT. NO	CONDUCTOR RANGE	STUD SIZE	HEX NUT	LENGTH (L)
SPM-1L	12 SOL - 8 STR	0.250 X 20 - 1	0.375 X 24	1.70
SPM-2L	8 SOL - 7 STR	0.250 x 20 - 1	0.437 x 20	1.90
SPM-3L	10 SOL - 4 STR	0.312 x 18 - 1	0.500 x 20	1.97
SPM-4L	6 SOL - 3 STR	0.375 x 16 - 1.125	0.562 x 18	2.37
SPM-5L	4 STR - 2 STR	0.375 x 16 - 1.125	0.625 x 18	2.20
SPM-6L	6 SOL - 1/0 STR	0.500 x 13 - 1.250	0.750 x 16	2.59
SPM-7L	1 SOL - 2/0 STR	0.500 x 13 - 1.250	0.875 x 14	2.69
SPM-9L	3/0 SOL - 4/0 STR	0.625 x 11 - 1.500	1.125 x 11	3.25

