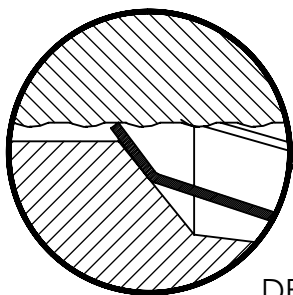
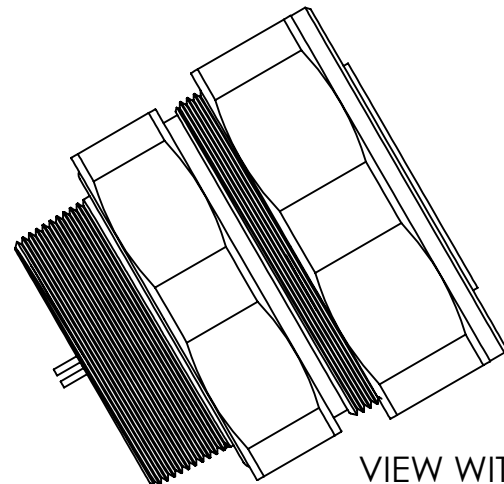
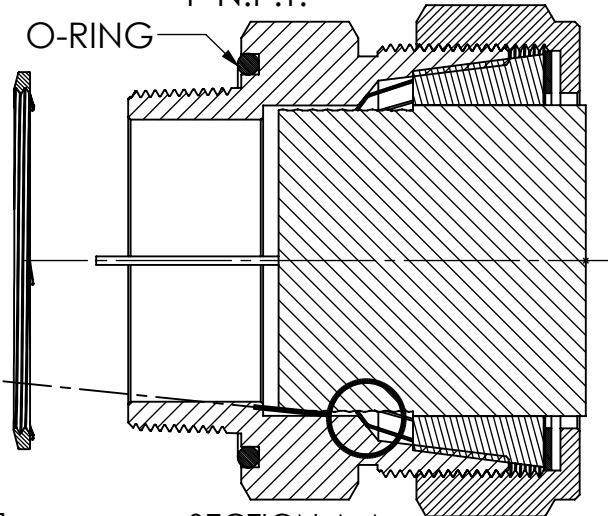


LOCK NUT  
OPTIONAL

O-RING



DETAIL B  
SCALE 1.5 : 1



REV.	DATE	CHANGE	UNLESS OTHERWISE SPECIFIED:	NAME	DATE	<b>REMKE</b> <b>REMKE INDUSTRIES</b> 310 CHADDICK DR, WHEELING, IL. 60090	
A	12/3/13	DRAWING RELEASED	DIMENSIONS ARE IN INCHES TOLERANCES: FRACTIONAL ± 1/64 ANGULAR: MACH ± 1° BEND ± 1° ONE PLACE DECIMAL ± .015 TWO PLACE DECIMAL ± .010 THREE PLACE DECIMAL ± .005	DRAWN JCN	12/13	TITLE:	
			INTERPRET GEOMETRIC TOLERANCING PER:	CHECKED		SIZE DWG. NO.	
			MATERIAL ALUMINUM	ENG APPR.		A RTK-400-27	
			FINISH	MFG APPR.		SCALE: 1:2.5	
			DO NOT SCALE DRAWING	Q.A.		SHEET 1 OF 1	
				<b>PROPRIETARY AND CONFIDENTIAL</b> THE INFORMATION CONTAINED IN THIS DRAWING IS THE SOLE PROPERTY OF REMKE INDUSTRIES. ANY REPRODUCTION IN PART OR AS A WHOLE WITHOUT THE WRITTEN PERMISSION OF REMKE INDUSTRIES IS PROHIBITED.			