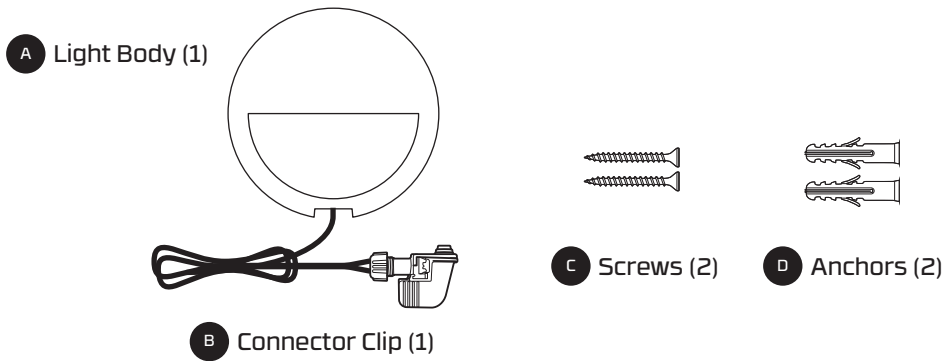


NEBO[®] WALL LIGHT



ASSEMBLY AND INSTALLATION



WARNING: The wire connector (B) contacts have sharp edges for piercing the main low voltage cable. To avoid injury, do not touch the metal contacts.

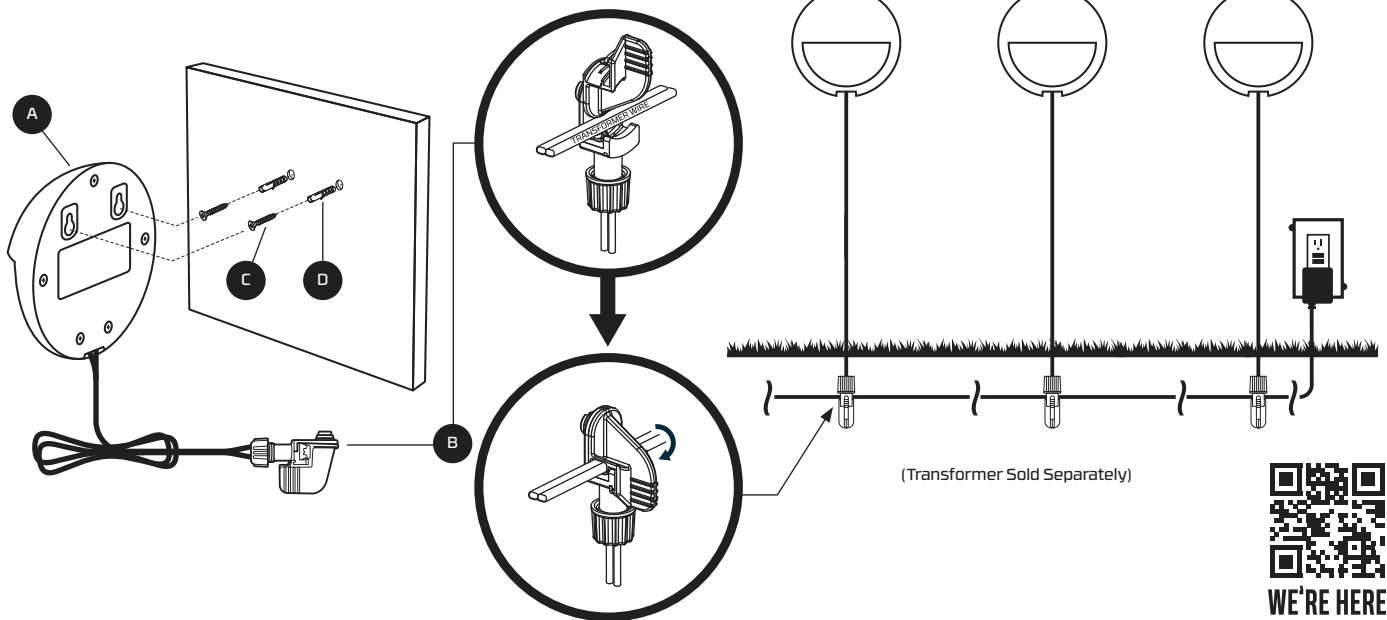


CAUTION: The wire from low voltage power unit should be 12-18 AWG type underground Low Energy Circuit Cable.



IMPORTANT:

- Do not submerge the fixture in water.
- Do not install the fixture within 10 ft. of water.
- The landscape wire can also be hidden under surface.
- Protect the wiring by routing it in close proximity to the light fixture, or next to a building structure.



1. Preparation

- Before beginning assembly, compare parts with package contents list to make sure all are present. If any part is missing or damaged, do not attempt to assemble the product.
- Determine the desired height and spacing of the wall lights and mark the positioning of the lights to be installed.
- Required tools: power drill / 1/4" drill bit / Phillips Head screw driver / hammer

2. Installation

- From the transformer (sold separately) run the wire from an outlet across the distance where the lights will be installed.
- At the location of each light, measure and mark for two mounting holes 2 inches apart.

- Using a 1/4" drill bit, drill into the wall siding and tap in the included plastic anchors (D) with a hammer. * Screw mounting screws (C) into anchors leaving the screw head approximately 1/4" from the wall surface.
- Place the light housing above the mounting screws and slide downward into place.
- Secure the Connector Clip (B) to the power pack wire, as shown above.
- Test the connection by turning on the lights. Make any desired adjustments.
- Complete the install by digging a small trench, inserting the transformer wire and back filling the trench with dirt.

** NOTE: if mounting lights to a brick surface, you may need to use masonry screws (not included).*

CARE AND CLEANING

Before Cleaning, Disconnect the power to the fixture by unplugging the fixture.

Clean the fixture with a soft damp cloth.	Do not use any cleaners with chemicals, solvents or harsh abrasives.
---	--

TROUBLESHOOTING

Problem	Possible Cause	Solution
The fixture will not light.	There is no power. There is a disconnect or break in the wire.	Check the outlet and ensure that a breaker or GFCI circuit has not been tripped.
	The transformer setting is incorrect.	Follow the wires from the fixture and ensure continuity back to the transformer. Check the settings on the transformer.
The light flickers (one only)	There is a loose connection to the fixture.	Repair the loose connection and ensure proper contact.
The lights flicker (all)	There is a loose connection at the transformer.	Unplug the transformer from the outlet and visually inspect the positive and negative connecting points. Each wire should securely be screwed in and ot contact with each other.

CABLE SELECTION

12 VOLT TAP	CABLE LENGTH			
	Total Fixture Wattage	0-50 feet	51-100 feet	101-150 feet
0-60 Watts	16 AWG	16 AWG	14 AWG	
61-120 Watts	16 AWG	14 AWG	12 AWG	
121-180 Watts	14 AWG	12 AWG	Not Recommended	
181-240 Watts	14 AWG	12 AWG	Not Recommended	
241-300 Watts	12 AWG	Not Recommended	Not Recommended	
600W Transformer = (2x300) Watts	12 AWG	Not Recommended	Not Recommended	
900W Transformer = (3x300) Watts	12 AWG	Not Recommended	Not Recommended	

15 VOLT TAP	CABLE LENGTH			
	Total Fixture Wattage	0-50 feet	51-100 feet	101-150 feet
0-60 Watts	16 AWG*	16 AWG	16 AWG	
61-120 Watts	16 AWG*	16 AWG	12 AWG	
121-180 Watts	14 AWG*	14 AWG	12 AWG	
181-240 Watts	14 AWG*	14 AWG	12 AWG	
241-300 Watts	12 AWG*	12 AWG	Not Recommended	
600W Transformer = (2x300) Watts	12 AWG*	12 AWG	Not Recommended	
900W Transformer = (3x300) Watts	12 AWG*	12 AWG	Not Recommended	

* NOT RECOMMENDED FOR HALOGEN LANDSCAPE LIGHTS

This data is provided as a general guideline. Actual performance will depend on the installation layout, the fixtures, and the condition of the cable.

NOTE: Most LED landscape lighting fixtures can operate with full illumination down to as little as 8VAC. It is possible to have extended length runs with LED fixtures that go beyond the specifications shown in the guidelines above.

PRODUCT GUARANTEE

If you experience a problem, please do not return to your local store. Contact our Customer Service team at **800-255-6061**



For more information, detailed video instructions, and warranty registration, visit NEBOLIGHTS.com