

# CHARLIE 2.0

The **Charlie 2.0** by RightAngle® is a task chair with a streamlined design and ergonomic benefits. Featuring a center-tilt mechanism, height adjustment, and flip up arm rests, it's a great option for a variety of industries and spaces.

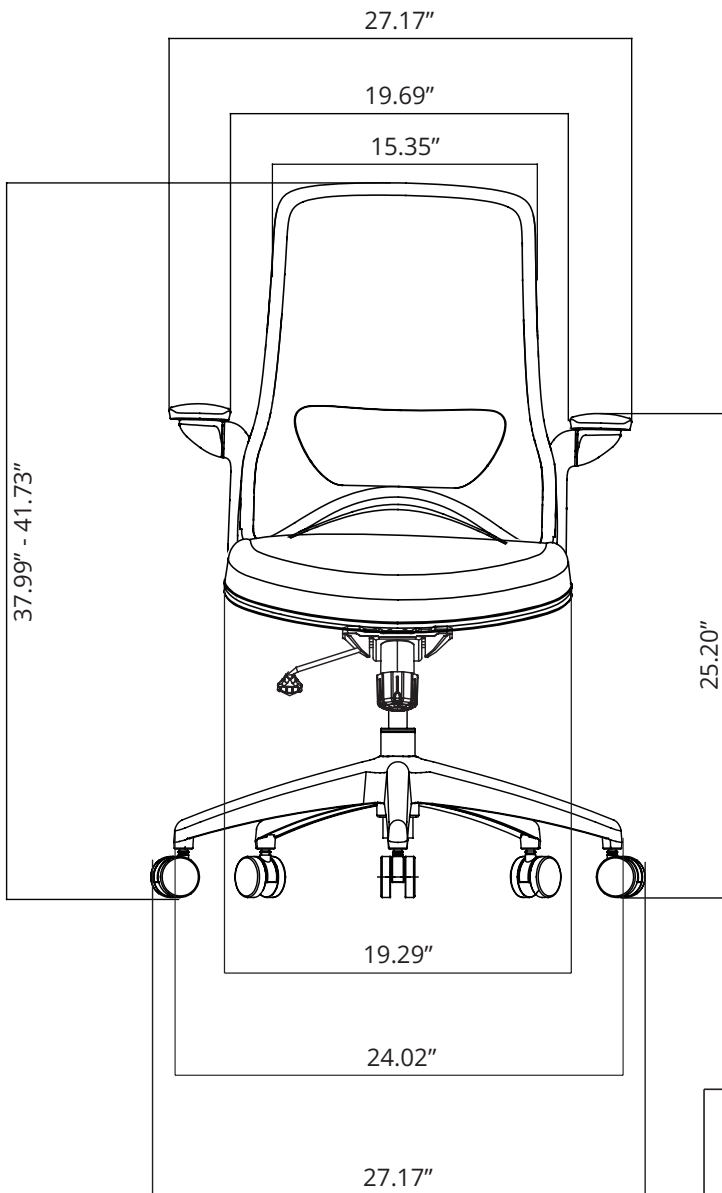


## FEATURES

- Arms Fold Upright
- Pneumatic height adjustment: 17.12" - 20.87" seat height
- Center Tilt
- Tilt Lock
- Tilt Tension Adjustment
- Waterfall Seat - seat cushion slopes at the front to help prevent pressure on the back of knees



# PRODUCT DIMENSIONS & SPECS



- Product Weight: 26.01 lbs
- Load Capacity: 275 lbs
- Back Fabric: Mesh
- Seat Fabric: Woven
- 94% post-use material recyclability
- Testing: BIFMA x5.1-2017, ISTA-3A, CA117-FOAM, CA117-Fabric
- Made in China

