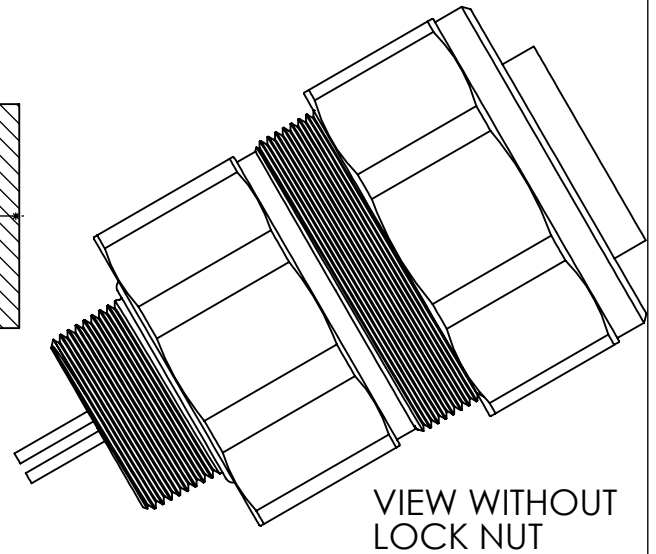
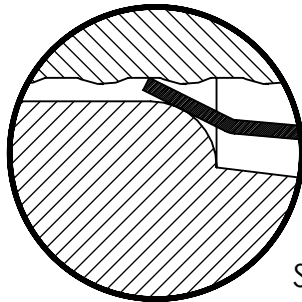
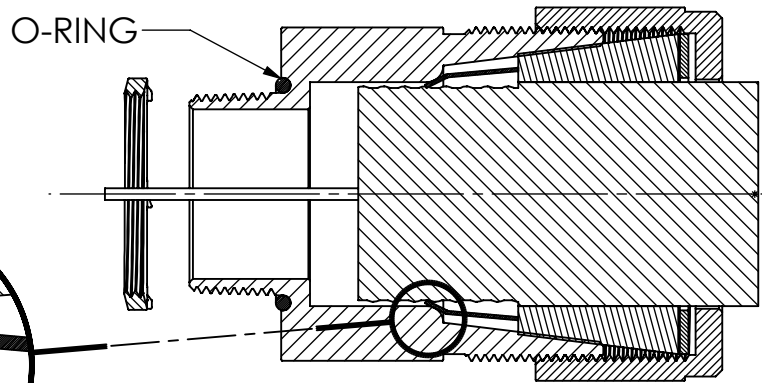


LOCK NUT  
OPTIONAL  
ADD: L



REV.	DATE	CHANGE	UNLESS OTHERWISE SPECIFIED:	NAME	DATE	<b>REMKE</b> <b>REMKE INDUSTRIES</b> 310 CHADDICK DR, WHEELING, IL. 60090	
A	12/2/13	DRAWING RELEASED	DIMENSIONS ARE IN INCHES TOLERANCES: FRACTIONAL ± 1/64 ANGULAR: MACH ± 1° BEND ± 1° ONE PLACE DECIMAL ± .015 TWO PLACE DECIMAL ± .010 THREE PLACE DECIMAL ± .005	DRAWN JCN 12/13 CHECKED ENG APPR. MFG APPR. Q.A.		TITLE: SIZE <b>A</b> DWG. NO. <b>RTK-150-13</b>	
			INTERPRET GEOMETRIC TOLERANCING PER: MATERIAL <b>ALUMINUM</b> FINISH	<b>PROPRIETARY AND CONFIDENTIAL</b> THE INFORMATION CONTAINED IN THIS DRAWING IS THE SOLE PROPERTY OF REMKE INDUSTRIES. ANY REPRODUCTION IN PART OR AS A WHOLE WITHOUT THE WRITTEN PERMISSION OF REMKE INDUSTRIES IS PROHIBITED.		SCALE: 1:1.8	SHEET 1 OF 1
			DO NOT SCALE DRAWING				