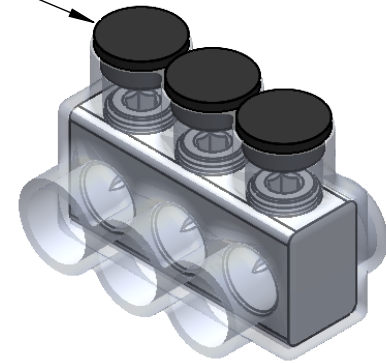




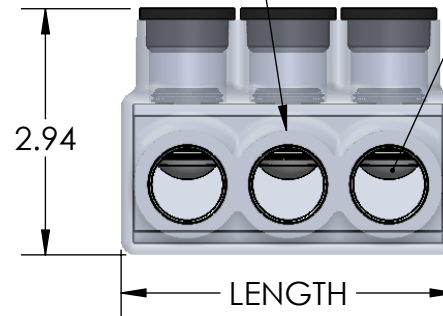
SET SCREW
PLUG SP500



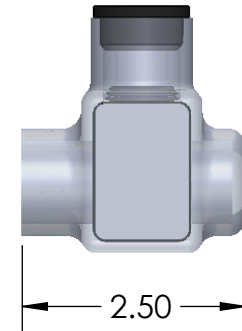
WIRE ENTRY PORT
WIRE RANGE: 500KCMIL - #4 AWG
PRE-FILLED W/ OXIDE INHIBITOR

IPL500-3C SHOWN

PART NUMBER	NO. OF PORTS	LENGTH
IPL500-3C	3	3.96
IPL500-4C	4	5.11
IPL500-5C	5	6.25
IPL500-6C	6	7.40
IPL500-7C	7	8.59
IPL500-8C	8	9.69
IPL500-10C	10	12.11
IPL500-12C	12	14.53
IPL500-14C	14	16.69



5/16 INTERNAL HEX
PRESSURE SCREW



CONTACT NSI FOR SALES @ 800.321.5847

NOTES:

- CONNECTOR MANUFACTURED FROM 6061-T6 ALUMINUM ALLOY.
- UL LISTED PER UL486A/B SPECIFICATIONS FOR 600V.
- DUAL RATED FOR 90°C COPPER AND/OR ALUMINUM CONDUCTOR.
- COLD TEMPERATURE RATED TO -45°C.
- HIGH DIELECTRIC STRENGTH INSULATION IS ABRASION AND CHEMICAL RESISTANT.

		POLARIS SALES . CO . INC	
<small>PROPRIETARY AND CONFIDENTIAL</small>		<small>11625 PROSPEROUS DRIVE ODESSA, FL 33556</small>	
<small>THE INFORMATION CONTAINED IN THIS DRAWING IS THE SOLE PROPERTY OF POLARIS SALES CO. INC. ANY REPRODUCTION IN PART OR AS A WHOLE WITHOUT THE WRITTEN PERMISSION OF POLARIS SALES CO. INC. IS PROHIBITED.</small>		TITLE: CLEAR INSULATED 500 CONNECTOR	
<small>DRAWN BY</small> T.MITCHELL		<small>DATE</small> 11/2021	
<small>MATERIAL:</small> N/A		<small>DWG. NO.</small> IPL500C	
<small>SCALE:</small> N/A		<small>SHEET:</small> 1 OF 1	