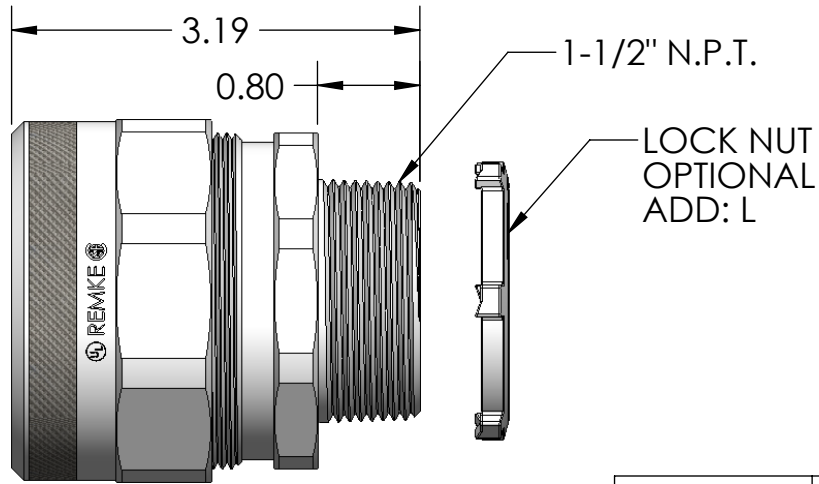


NUT



LOCK NUT
OPTIONAL
ADD: L



CATALOG NUMBER	SEALING RANGE	BODY BORE
RSR-5612	.562 - .688	2.000
RSR-5613	.688 - .812	2.000
RSR-5614	.750 - .875	2.000
RSR-5617	.937 - 1.062	2.000
RSR-5618	1.000 - 1.125	2.000
RSR-5620	1.125 - 1.250	2.000
RSR-5622	1.250 - 1.375	2.000
RSR-5623	1.312 - 1.437	2.000
RSR-5625	1.438 - 1.562	2.000
RSR-5627	1.562 - 1.687	2.000
RSR-5629	1.688 - 1.812	2.000

ITEM NO.	PART NUMBER	DESCRIPTION	MATERIAL	QTY.
1	RSR-5600-B	BODY	ALUMINUM	1
2	SRB-611 THRU SRB-629	BUSHING	NEOPRENE	1
3	SW-600	WASHER	C.R.S. ZINC PLATED	1
4	RSR-600-N	NUT	ALUMINUM	1
5	LN-150	LOCK NUT	ADD: L, C.R.S. ZINC PLATED	1

REV.	DATE	CHANGE	UNLESS OTHERWISE SPECIFIED:	NAME	DATE	REMKE REMKE INDUSTRIES 310 CHADDICK DR, WHEELING, IL. 60090	
A	5/01/13	DRAWING RELEASED	DIMENSIONS ARE IN INCHES TOLERANCES: FRACTIONAL ± 1/64 ANGULAR: MACH ± 1° BEND ± 1° ONE PLACE DECIMAL ± .015 TWO PLACE DECIMAL ± .010 THREE PLACE DECIMAL ± .005	DRAWN JCN	5/13	TITLE: RSR-5600 SERIES	
			INTERPRET GEOMETRIC TOLERANCING PER:	CHECKED		SIZE: A DWG. NO. RSR-5600 ASSEMBLY	
			MATERIAL ALUMINUM	ENG APPR.		SCALE: 2:3 SHEET 1 OF 1	
			FINISH	MFG APPR.			
			DO NOT SCALE DRAWING	Q.A.			
				PROPRIETARY AND CONFIDENTIAL THE INFORMATION CONTAINED IN THIS DRAWING IS THE SOLE PROPERTY OF REMKE INDUSTRIES. ANY REPRODUCTION IN PART OR AS A WHOLE WITHOUT THE WRITTEN PERMISSION OF REMKE INDUSTRIES IS PROHIBITED.			