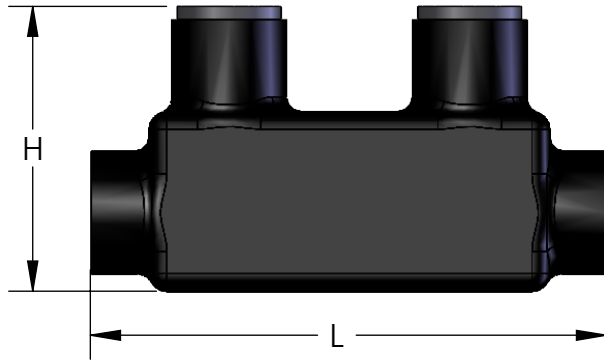


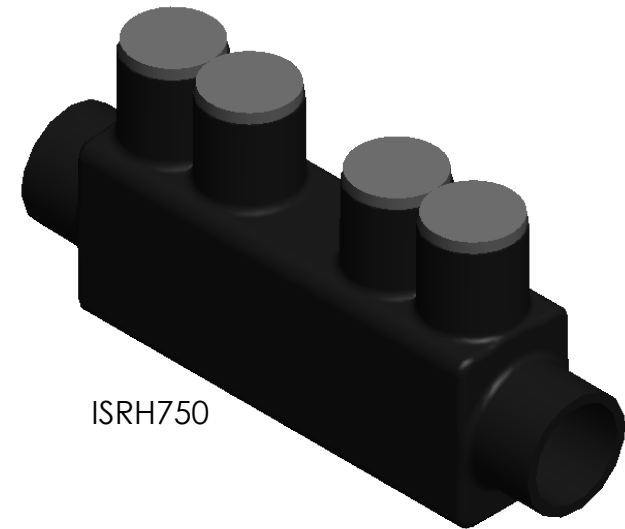
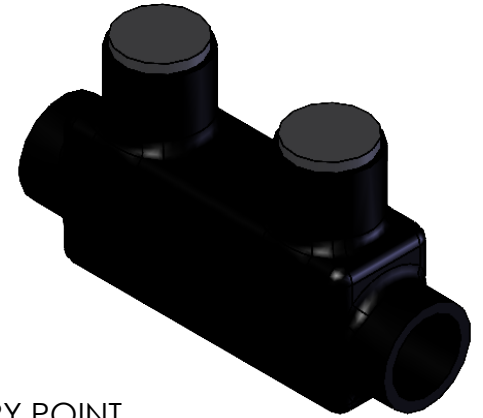


REMOVABLE CAP
TO TIGHTEN SCREW
(REPLACE WHEN COMPLETE)

INTERNAL HEX
PRESSURE SCREW



WIRE ENTRY POINT
PRE-FILLED W/ OXIDE INHIBITOR



PART #	WIRE RANGE	HEX SIZE	L	H	W
ISR1/0	1/0-14	3/16	3.25	1.48	.90
ISR250	250-6	5/16	4.00	1.90	1.19
ISR350	350-6	5/16	4.47	2.20	1.32
ISR500	500-4	5/16	4.62	3.00	1.62
ISR600	600-6	5/16	5.83	3.30	1.75
ISRH750	750-1/0	5/16	7.25	3.50	1.75

CONTACT NSi FOR SALES @ 800.321.5847

NOTES:

1. CONNECTOR MANUFACTURED FROM 6061-T6 ALUMINUM ALLOY.
2. UL LISTED PER UL486A/B SPECIFICATIONS FOR 600V.
3. DUAL RATED FOR 90°C COPPER AND/OR ALUMINUM CONDUCTOR.
4. COLD TEMPERATURE RATED TO -45°C.
5. HIGH DIELECTRIC STRENGTH INSULATION IS ABRASION, CHEMICAL AND UV RESISTANT.

		POLARIS SALES . CO . INC	
<small>PROPRIETARY AND CONFIDENTIAL</small>		<small>11625 PROSPEROUS DRIVE ODESSA, FL 33556</small>	
<small>THE INFORMATION CONTAINED IN THIS DRAWING IS THE SOLE PROPERTY OF POLARIS SALES CO. INC. ANY REPRODUCTION IN PART OR AS A WHOLE WITHOUT THE WRITTEN PERMISSION OF POLARIS SALES CO. INC. IS PROHIBITED.</small>		TITLE: INSULATED SPLICE CONNECTOR SERIES	
<small>NAME</small>		<small>DATE</small>	
<small>DRAWN BY</small> L. HILL		<small>DATE</small> 10-21-10	
<small>MATERIAL:</small> N/A		<small>SCALE:</small> N/A	
<small>DWG. NO.</small>		<small>SHEET:</small> 1 OF 1	
<small>ISR SERIES</small>			