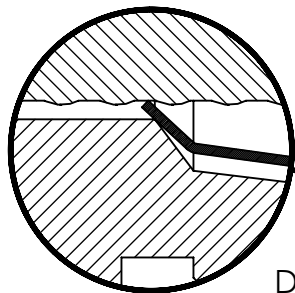
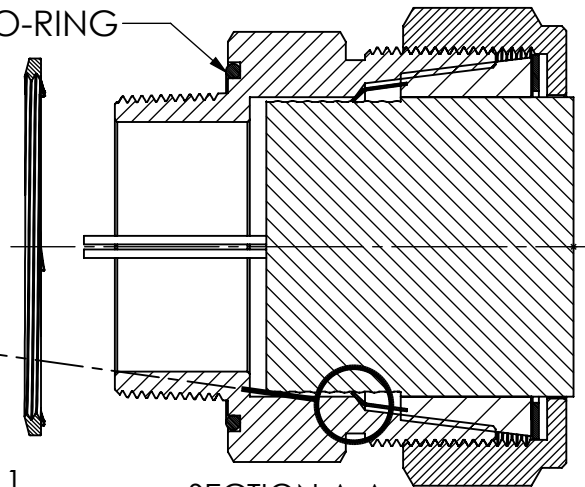


LOCK NUT
OPTIONAL

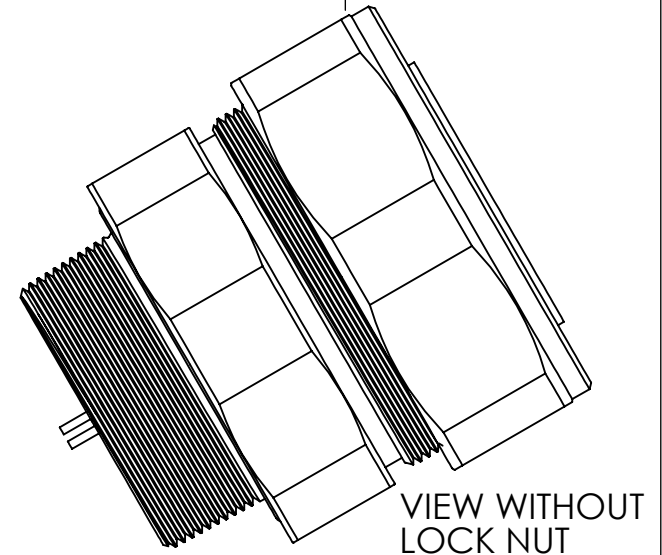
O-RING



DETAIL B
SCALE 1.5 : 1



SECTION A-A



VIEW WITHOUT
LOCK NUT



REV.	DATE	CHANGE	UNLESS OTHERWISE SPECIFIED:	NAME	DATE	REMKE REMKE INDUSTRIES 310 CHADDICK DR, WHEELING, IL. 60090	
A	12/3/13	DRAWING RELEASED	DIMENSIONS ARE IN INCHES TOLERANCES: FRACTIONAL $\pm 1/64$ ANGULAR: MACH $\pm 1^\circ$ BEND $\pm 1^\circ$ ONE PLACE DECIMAL $\pm .015$ TWO PLACE DECIMAL $\pm .010$ THREE PLACE DECIMAL $\pm .005$	DRAWN	JCN	12/13	TITLE:
			INTERPRET GEOMETRIC TOLERANCING PER:	CHECKED			
			MATERIAL	ENG APPR.			
			ALUMINUM	MFG APPR.			
			FINISH	Q.A.			
			DO NOT SCALE DRAWING	PROPRIETARY AND CONFIDENTIAL THE INFORMATION CONTAINED IN THIS DRAWING IS THE SOLE PROPERTY OF REMKE INDUSTRIES. ANY REPRODUCTION IN PART OR AS A WHOLE WITHOUT THE WRITTEN PERMISSION OF REMKE INDUSTRIES IS PROHIBITED.		SIZE A	DWG. NO. RTK-350-26
				SCALE: 1:2.5			SHEET 1 OF 1