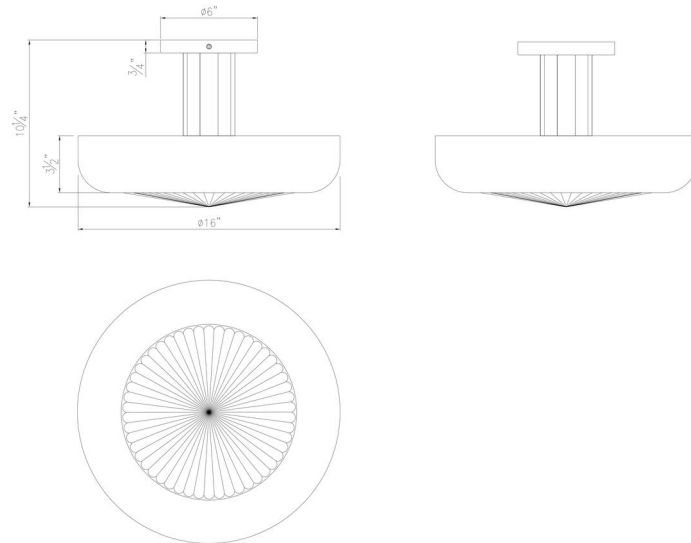


JOB NAME:

DATE:

TYPE:

COMMENTS:



LIGHT INFORMATION

Light Type	Integrated LED
CRI	90
Delivered Lumens	1576
Color Temperature	3000K
LED Lifespan (L70)	52000
Number of Lights	1
Light Direction	Ambient
Dimming Method	Triac
Current Type	DC
Input Voltage	120-277
Total Wattage	36

DIMENSIONS & WEIGHT

Height (In)	10
Diameter (In)	16
Weight (Lbs)	8.55

INSTALLATION

Mounting Type	J-Box
Rating	Dry
Hanging Support Type	J-Box

PRODUCT FINISH

Harlow Bronze

SHADE FINISH

Etched Glass

CERTIFICATIONS & COMPLIANCE

