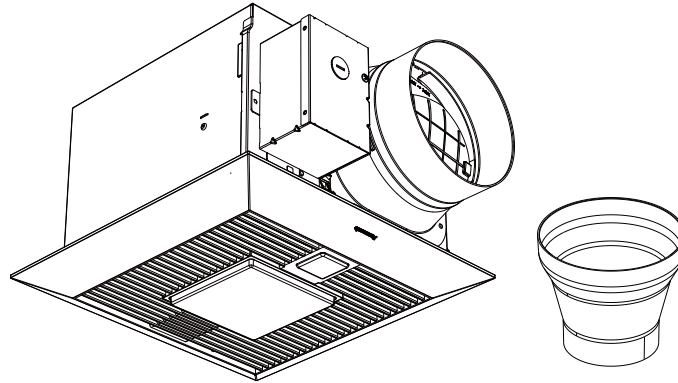


Service Manual

Ventilating Fan



FV-0511VKL3

⚠ WARNING

This service information is designed for experienced repair technicians only and is not designed for use by the general public. It does not contain warnings or cautions to advise non-technical individuals of potential dangers in attempting to service a product. Products powered by electricity should be serviced or repaired only by experienced professional technicians. Any attempt to service or repair the product or products dealt with in this service information by anyone else could result in serious injury or death.

IMPORTANT SAFETY NOTICE

There are special components used in this equipment which are important for safety. These parts are marked by ⚠ in the Schematic Diagrams, Exploded Views and Replacement Parts List. It is essential that these critical parts should be replaced with manufacturer's specified parts to prevent shock, fire or other hazards. Do not modify the original design without the manufacturer's approval. Please have a static electricity depletion process in place before handling these components.. Please use gloves when handling PCB parts during the repair process..

CONTENTS	PAGE
1.Specification-----	1
2.Parts Identification-----	2 ~ 5
3.Wiring Diagram-----	6
4.Parts List-----	7, 8

1. Specification

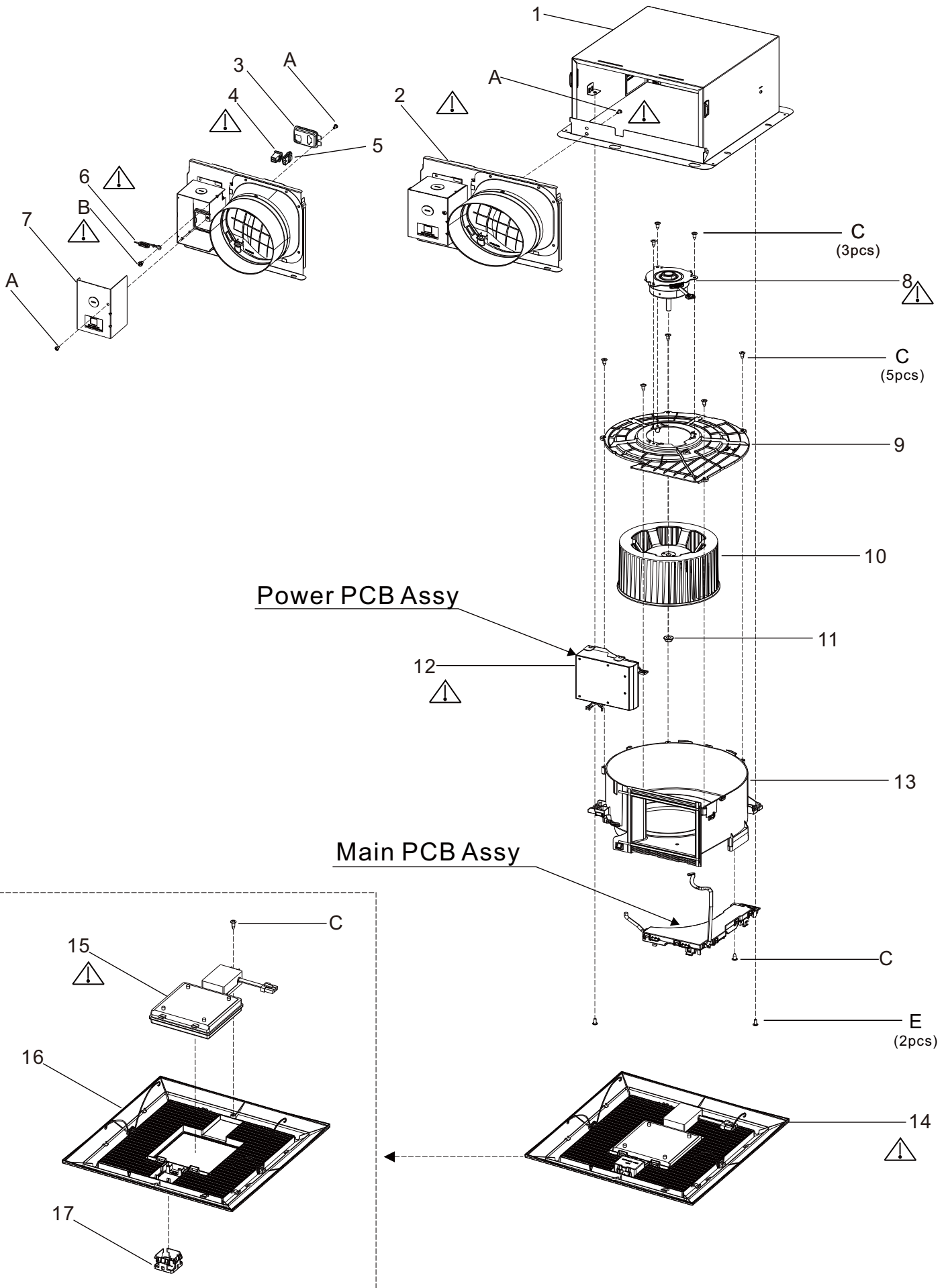
Model No.	Air direction	Voltage (V)	Frequency (Hz)	Duct diameter (inches)	Air volume at 0.1"WG (CFM)	Noise (sones)	Speed (rpm)	Power (W)		Weight lb.(kg)
								Fan	Lighting / Night Light	
FV-0511VKL3	Exhaust	120	60	4	110	<0.3	824	10.5	10 / 0.2	7.85 (3.56)
					80	<0.3	722	6.4		
					50	<0.3	643	3.9		
				6	110	<0.3	636	7.2		
					80	<0.3	591	4.6		
					50	<0.3	587	3.5		

HVI Certified performance based on HVI Procedures 915, 916, and 920.

2. Parts Identification

FV-0511VKL3

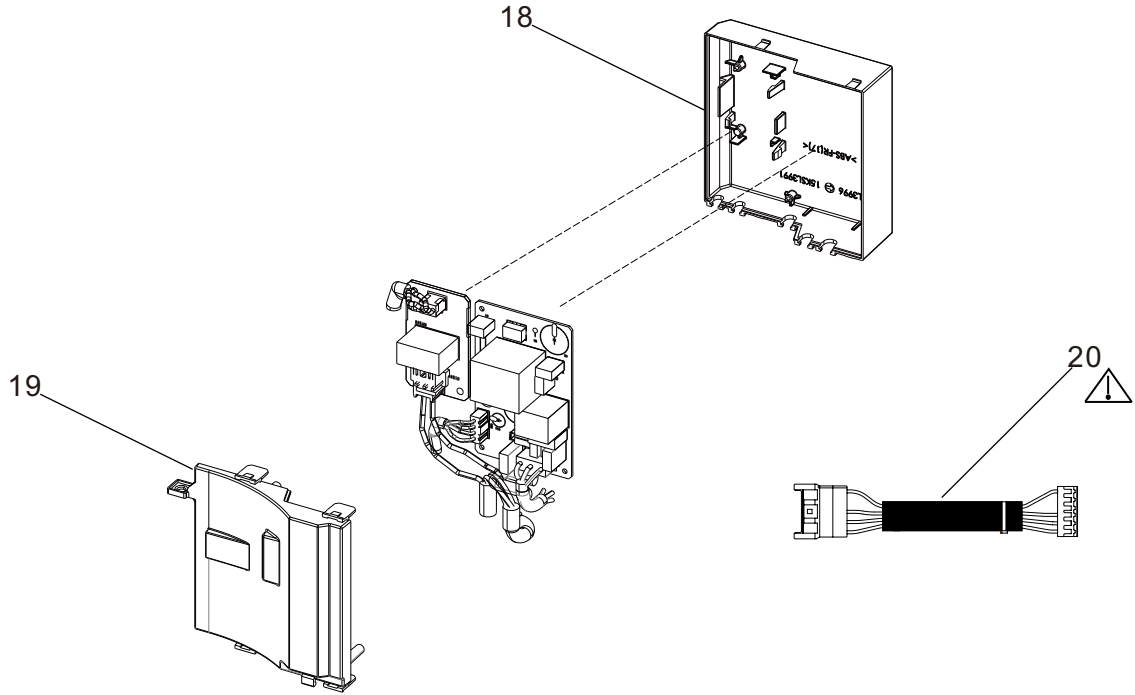
Main Body Section



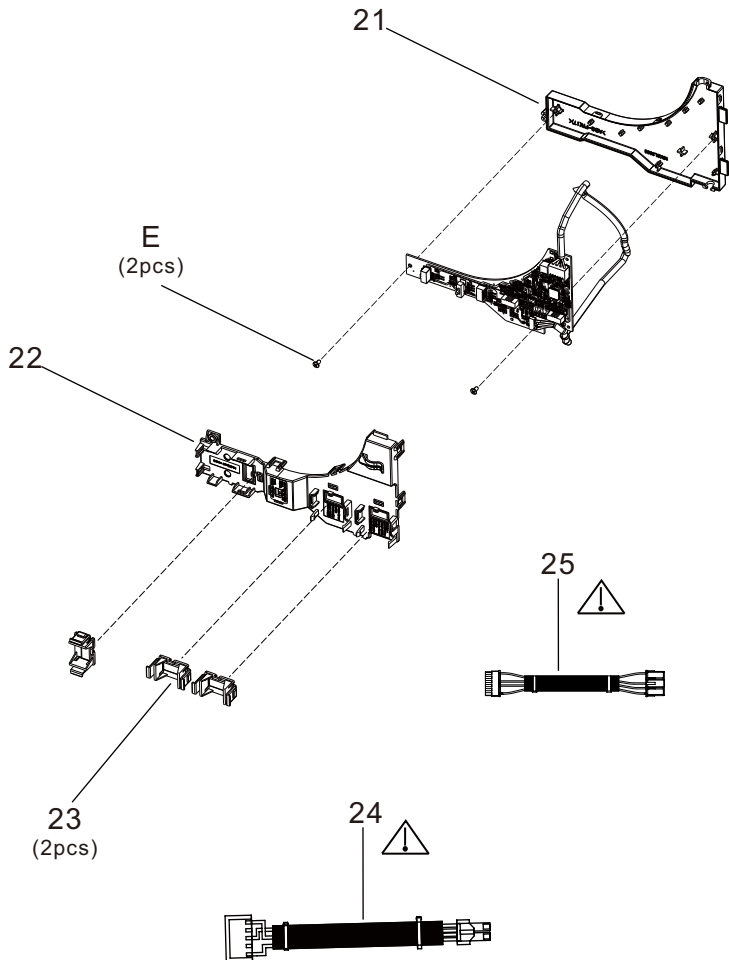
2.Parts Identification

FV-0511VKL3

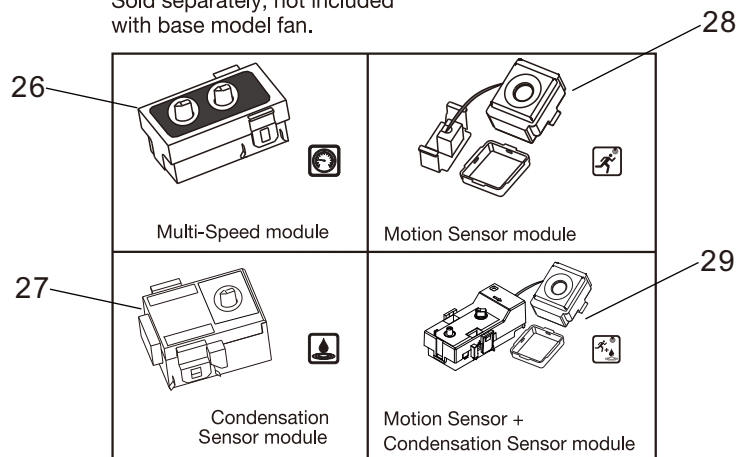
Power PCB Assy



Main PCB Assy



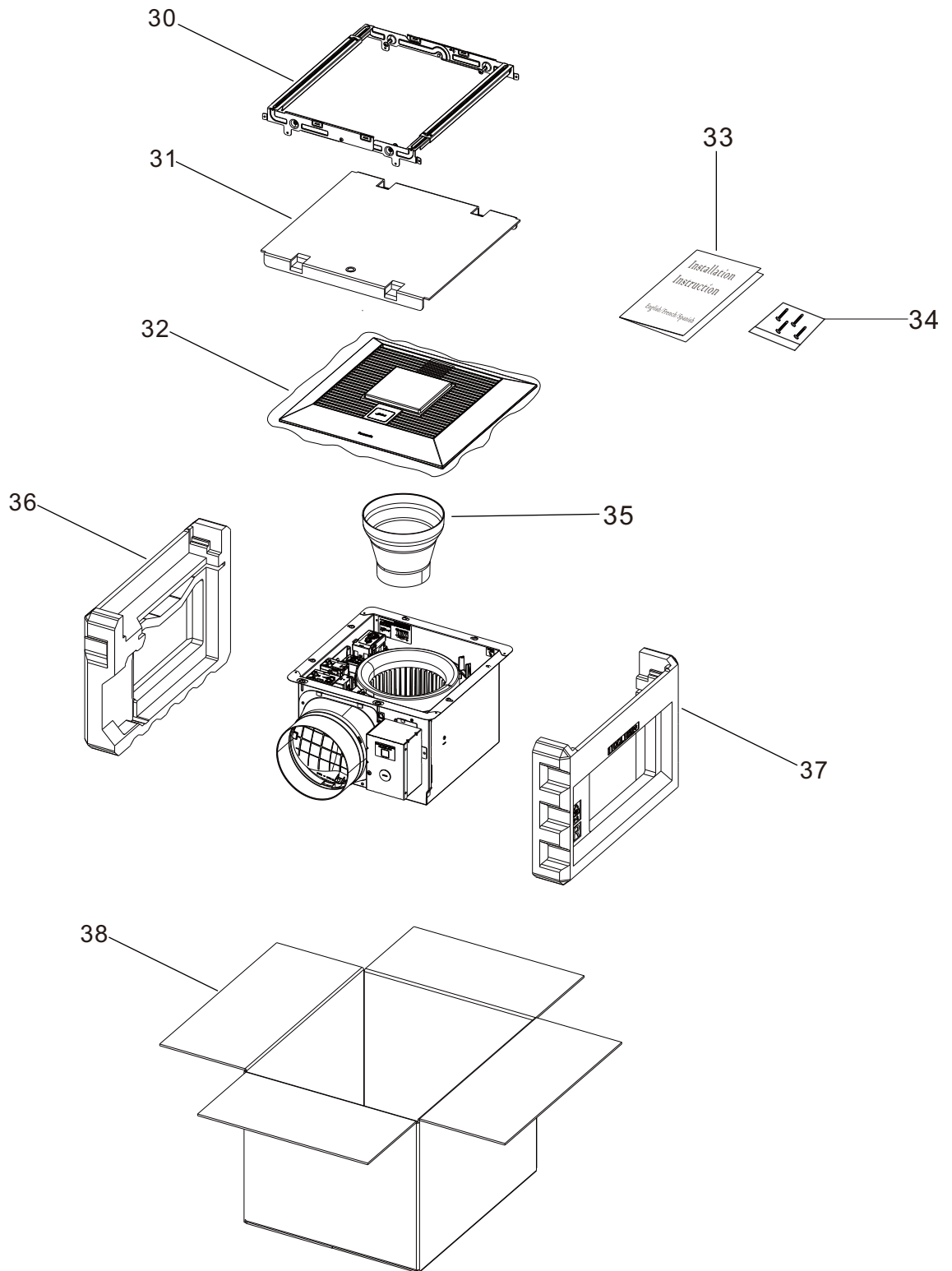
Sold separately, not included with base model fan.



2. Parts Identification

FV-0511VKL3

Packing Section



2. Parts Identification

FV-0511VKL3

Main Label

39



40

WARNING:

1. Before service or cleaning unit, switch power off at service panel and lock service panel to prevent power from being switched on accidentally.

2. Acceptable for use over a bathtub or shower when installed in a GFCI protected branch circuit.

CAUTION:

To reduce the risk of injury to persons, install fan at least 2.1m(7 feet) above the floor.

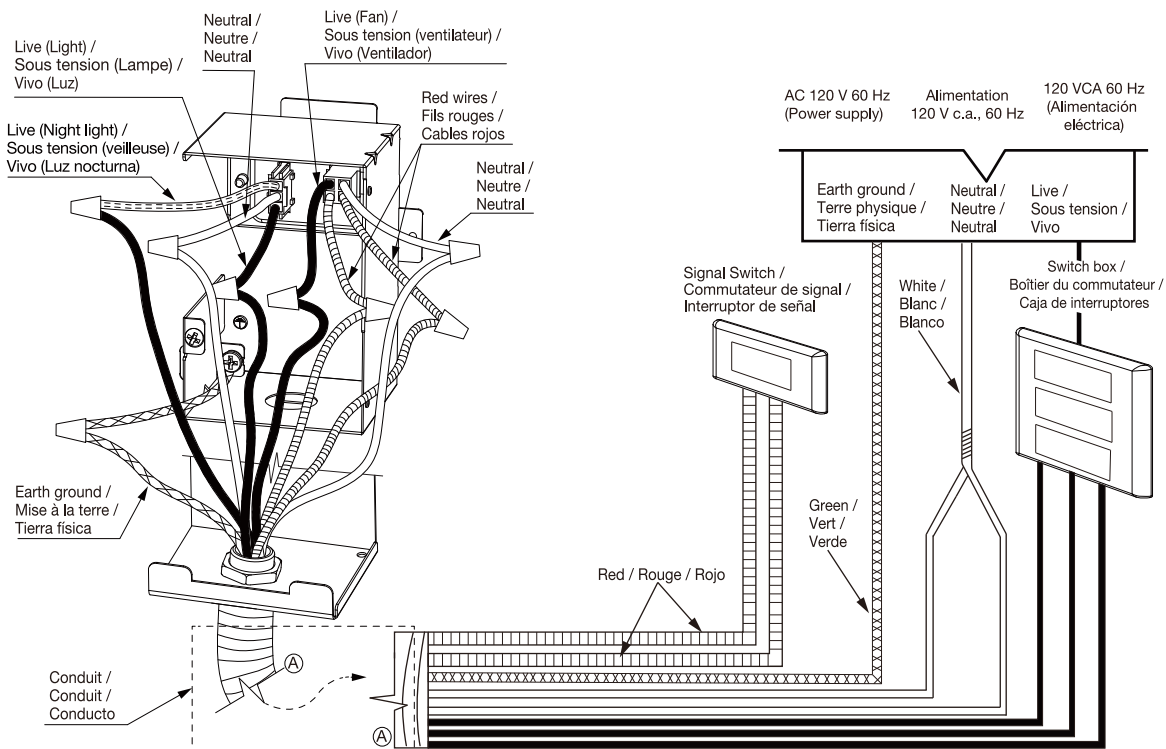
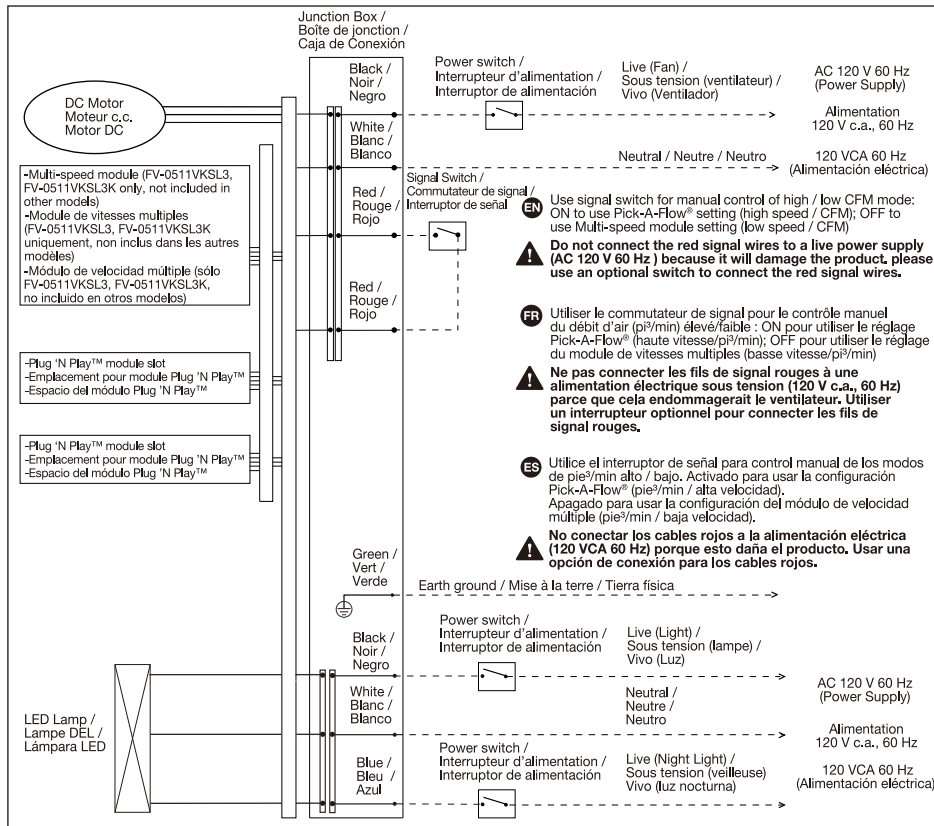
ATTENTION:

1. Pour l'entretien ou le nettoyage, mettre l'appareil hors tension au niveau de la façade des commandes et du panneau de verrouillage des commandes afin d'empêcher toute mise sous tension accidentelle.

2. Convient pour utilisation au-dessus d'une baignoire ou d'une douche si raccordé à un circuit de dérivation protégé aux normes GFCI.

3. Afin de réduire les risques de blessures corporelles, installer le ventilateur à au moins 2,1m(7 pieds) du sol.

3. Wiring Diagram



4. Parts List

FV-0511VKL3

Main Body Section

No.	Part No.	Part Name	Q'ty	Remark
1	FFV15KSL3900	Frame Assembly	1	
2	FFV15KSL3910	Adapter Assembly	1	⚠
3	FFV15KSL3913	Connector Plate	1	
4	FFV511FC1301	Connector Assy V	1	⚠
5	FFV15KSL3341	Connector Assy L	1	⚠
6	FFV11QCL1331	Ground Wire	1	⚠
7	FFV11QCL1912A	Junction Cover	1	
8	FFV11QCL1M21AX	Motor	1	⚠
9	FFV15KSL3904	Motor Support	1	
10	FFV0400115S	Blade	1	
11	FFV7020021S	Nut	1	
12	FFV0511VKSL3	Power PCB Assy	1	⚠
13	FFV15KSL390	Casing section	1	
14	FFV11VKL381	Grille Assembly	1	⚠
15	FFV3400148S	Led Unit	1	⚠
16	FFV15KSL3811	Grille	1	
17	FFV11KSL3M9	Ornamental Cover	1	
A	FFVXTT4-8FFJ	Screw (ST4-8)	3	
B	FFVXYM4DC8BN	Screw w/washer(M4-8)	1	⚠
C	FFV7000089S	Screw (ST4-12)	10	
D	FFV7000065S	Taping Bind	2	

Main PCB Section

No.	Part No.	Part Name	Q'ty	Remark
18	FFV15KSL396	Power PCB Box	1	
19	FFV15KSL997	Power PCB Cover	1	
20	FFV15KSL320	Motor Lead Wire Assy	1	⚠
21	FFV15KSL393	Main PCB Box	1	
22	FFV15KSL394	Main PCB Cover	1	
23	FFV0900063S	Connector Cover	3	
24	FFV15KSL317	Base PCB Lead Wire	1	⚠
25	FFV15KSL172	Power Lead Wire	1	⚠
26	FFV5530071S	Multi-Speed Module	1	
27	FFV0010237S	Condensation Sensor	1	
28	FFV3740029S	Motion Sensor	1	
29	FFVFVCMVK3	Dual Sensor	1	
E	FFVXTN3-8GFJ	Screw (M3-8)	2	

4. Parts List

FV-0511VKL3

Packing Section

No.	Part No.	Part Name	Q'ty	Remark
30	FFV11QCL1920	Hanger Assy	1	
31	FFV4710381S	Grill Pad Assy	1	
32	FFV4650016S	Poly Cover	1	
33	FFV15VKL3420	Inst. Instruction EFS	1	
34	FFV01NES0045	Accessory A	1	
35	FFV15KSL3920	Reducer	1	
36	FFV11QCL1891	Led Pad	1	
37	FFV11QCL1892	Right Pad	1	
38	FFV11VKL3400	Packing Case Assy	1	
39	FFV11KSL3055	QR Code Label	1	
40	FFV15VK30083	Caution Label	1	