

PROGRAM:	SOLIDWORKS
UPDATED:	1/25
SALES REV:	A
SIZE:	B (11x17)



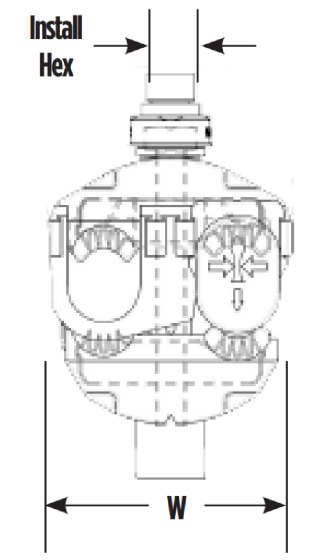
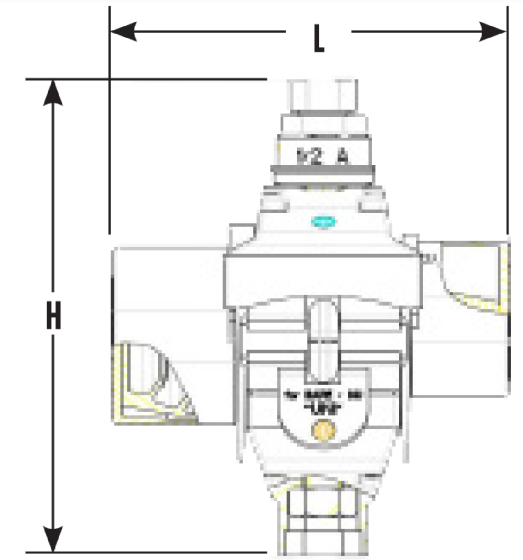
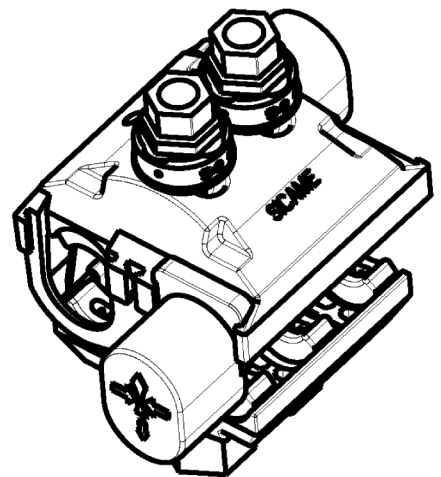
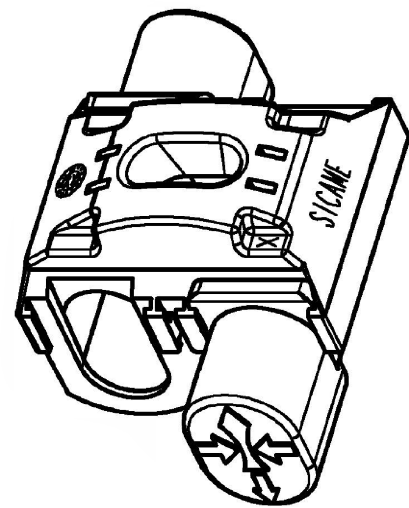
FEATURES:

1. No Wire Stripping Required: Simplifies installation by eliminating wire stripping.
2. Insulation-Free: No tape or cover needed for connections.
3. Safe Energized Installations: Can be installed on energized connectors.
4. Spacer-Free Design: No spacer required between connections.
5. Turbo Spacer: Keeps tabs open during tightening for easier handling.
6. Watertight & Corrosion-Resistant: Ensures long-lasting performance in harsh environments.
7. Double Shear-Head Bolts: Guarantees a secure, consistent connection every time.
8. Flexible Application: Can be used as a splice or tap connection.
9. Tool-Free Installation: No special tools are necessary for setup.
10. Copper & Aluminum Compatibility: Works with any combination of copper and/or aluminum wires.
11. Supports Solid and Stranded Wires: Versatile for different wire types.
12. Blue Insert: Recreates insulation to protect the conductor effectively.

SPECIFICATIONS:

1. Wire Range: #14 AWG to 750 Kcmil
2. Bare Wire Compatibility: Approved for bare wires from #4/0 to #10 (four sizes)
3. Electrical Rating: 600 V, 90°C
4. Certifications:
 - UL486B Listed
 - Meets ANSI C119.4 requirements

INSULATION PIERCING CONNECTORS: IPCS SERIES



*Cannot be used with bare wire or as a splice
 **Cannot be used with bare wire
 Not recommended for use with extra-flexible cables
 Not approved for submersible applications

CAT.NO	UL LISTED	MAIN Kcmil/AWG	TAP Kcmil/AWG	CU AMP	AL AMP	HEIGHT (H)	LENGTH (L)	WIDTH (W)	BOLTS	UPC CODE
IPCS2001*	Yes	2/0-4	10-14	55	40	2.87	2.16	1.54	1	662381082602
IPCS7501	Yes	750-3/0	10-14	55	40	4.13	2.76	2.4	1	662381082619
IPCS1002	NO	1/0-8	2-10	190	150	3.58	3.03	2.01	1	662381082626
IPCS1010	NO	1/0-8	1/0-8	190	150	3.78	3.03	2.01	1	662381082633
IPCS4002*	YES	4/0-3	2-10	190	150	3.66	2.76	1.731	1	662381082640
IPCS2546**	YES	250-4	4/0-6	405	315	4.09	3.46	2.64	1	662381002242
IPCS3535**	NO	350-1/0	350-1/0	570	445	5.16	5.04	3.11	2	662381082671
IPCS5040**	NO	500-2/0	4/0-4	405	315	5.16	5.04	3.11	2	662381082688
IPCS5035**	NO	500-4/0	350-1/0	570	445	5.28	5.04	2.91	2	662381082695
IPCS7550**	NO	750-250	500-250	700	545	5.47	5.75	3.58	2	662381082701