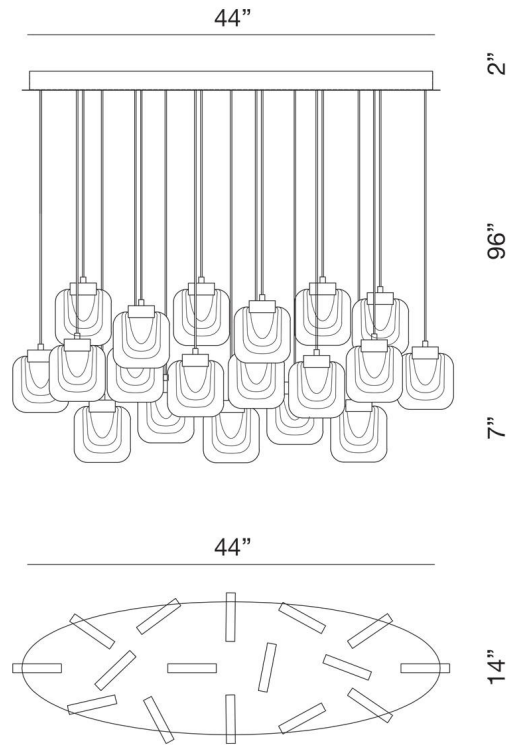


JOB NAME:

DATE:

TYPE:

COMMENTS:



LIGHT INFORMATION

Light Type	Integrated LED
CRI	90
Delivered Lumens	3200
Color Temperature	3000K
LED Lifespan (L70)	20000
Number of Lights	16
Light Direction	Ambient
Dimming Method	Triac/Elv
Current Type	DC
Input Voltage	120
Total Wattage	92.8

DIMENSIONS & WEIGHT

Length (In)	44
Width (In)	14
Height (In)	7
Min Height (In)	29
Max Height (In)	105
Weight (Lbs)	61.6

INSTALLATION

Mounting Type	J-Box
Rating	Dry
Hanging Support Type	Wire

PRODUCT FINISH

Matte Gold

SHADE FINISH

Rectangular Clear Glass

CERTIFICATIONS & COMPLIANCE

