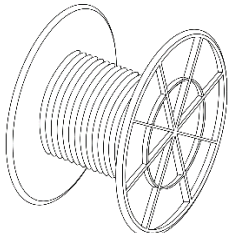
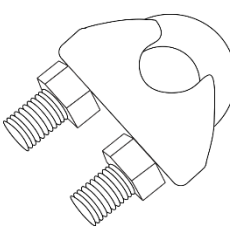
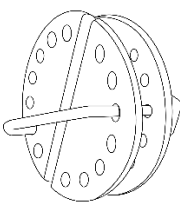
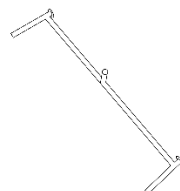
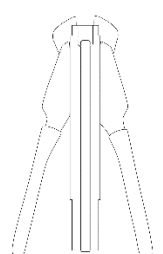
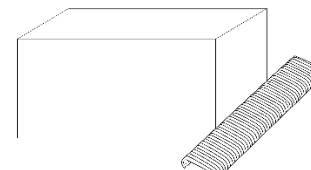
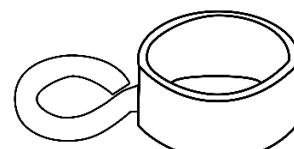
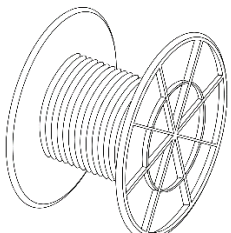
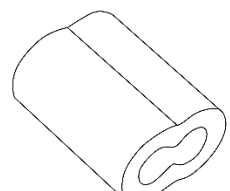

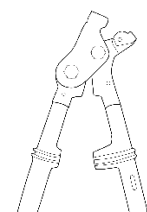
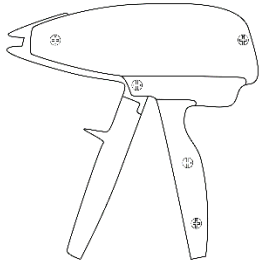
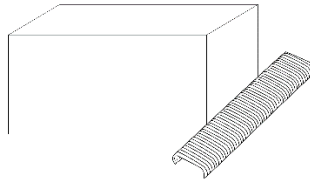
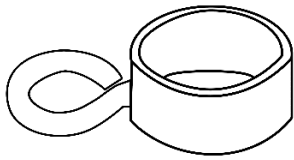



Tensioning Wire Kit Instructions

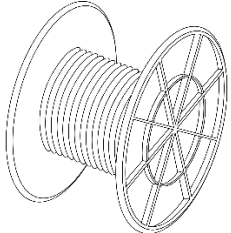
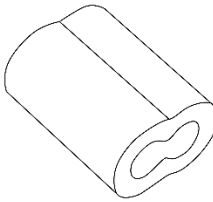

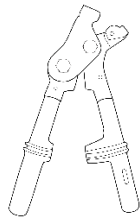
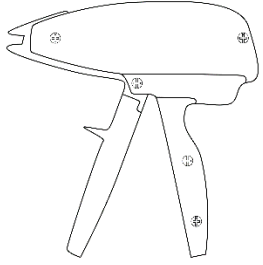
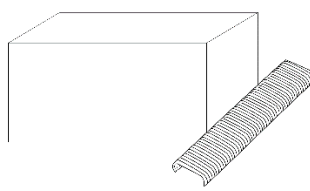
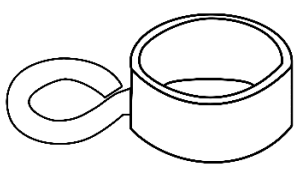

Note: These instructions are **UNIVERSAL**. These instructions are to aid in the installation of all fence systems regardless of fencing mesh or height.

STANDARD TENSIONING KIT			
<p style="text-align: center;">A</p> <p>(Refer to packing slip for QTY)</p>  <p style="text-align: center;">12 Gauge Monofilament Wire</p> <p style="text-align: center;">SKU: DE2822</p>	<p style="text-align: center;">B</p> <p style="text-align: center;">QTY: 20</p>  <p style="text-align: center;">Monofilament Connector Clip</p> <p style="text-align: center;">SKU: DE2830</p>	<p style="text-align: center;">C</p> <p style="text-align: center;">QTY: 10</p>  <p style="text-align: center;">Dare Round Monofilament Tighteners</p> <p style="text-align: center;">SKU: DE2834</p>	<p style="text-align: center;">D</p> <p style="text-align: center;">QTY: 1</p>  <p style="text-align: center;">Tension Tool for Round Tighteners</p> <p style="text-align: center;">SKU: DE2837</p>
<p style="text-align: center;">E</p> <p style="text-align: center;">QTY: 1</p>  <p style="text-align: center;">G7 11/16" Hog Ring Pliers</p> <p style="text-align: center;">SKU: DE2867</p>	<p style="text-align: center;">F</p> <p style="text-align: center;">QTY: 1 pk</p>  <p style="text-align: center;">11/16" Galvanized Hog Rings, 2500 pk.</p> <p style="text-align: center;">SKU: DE2877</p>	<p style="text-align: center;">G</p> <p>(Refer to packing slip for QTY)</p>  <p style="text-align: center;">Monofilament Alignment Band for 1 5/8" Posts</p> <p style="text-align: center;">SKU: DE8468-01</p>	

DELUXE TENSION KIT			
<p style="text-align: center;">A</p> <p>(Refer to packing slip for QTY)</p>  <p style="text-align: center;">8 Gauge Monofilament Wire</p> <p style="text-align: center;">SKU: DE2820</p>	<p style="text-align: center;">B</p> <p style="text-align: center;">QTY: 25</p>  <p style="text-align: center;">8 Gauge Monofilament Connection Sleeve</p> <p style="text-align: center;">SKU: DE2826</p>	<p style="text-align: center;">C</p> <p style="text-align: center;">QTY: 10</p>  <p style="text-align: center;">Large Gripple for 8 Gauge Monofilament</p> <p style="text-align: center;">SKU: DE2840</p>	<p style="text-align: center;">D</p> <p style="text-align: center;">QTY: 1</p>  <p style="text-align: center;">Gripple Tightening Tool</p> <p style="text-align: center;">SKU: DE2844</p>

<p style="text-align: center;">E</p> <p style="text-align: center;">QTY: 1</p>  <p style="text-align: center;">9/16" Hog Ringer</p> <p style="text-align: center;">SKU: DE2870R</p>	<p style="text-align: center;">F</p> <p style="text-align: center;">QTY: 1 pk</p>  <p style="text-align: center;">9/16" Galvanized Hog Rings, 1000 pk.</p> <p style="text-align: center;">SKU: DE2870R</p>	<p style="text-align: center;">G</p> <p style="text-align: center;">(Refer to packing slip for QTY)</p>  <p style="text-align: center;">Monofilament Alignment Band for 1 5/8" Posts</p> <p style="text-align: center;">SKU: DE8468-01</p>	<p style="text-align: center;">H</p> <p style="text-align: center;">QTY: 1</p>  <p style="text-align: center;">Crimping Tool for Monofilament Sleeve</p> <p style="text-align: center;">SKU: DE2832</p>
---	--	---	---

CONTRACTOR TENSION KIT

<p style="text-align: center;">A</p> <p style="text-align: center;">(Refer to packing slip for QTY)</p>  <p style="text-align: center;">8 Gauge Steel Core Monofilament Wire</p> <p style="text-align: center;">SKU: DE2820</p>	<p style="text-align: center;">B</p> <p style="text-align: center;">QTY: 25</p>  <p style="text-align: center;">8 Gauge Monofilament Connection Sleeve</p> <p style="text-align: center;">SKU: DE2826</p>	<p style="text-align: center;">C</p> <p style="text-align: center;">QTY: 10</p>  <p style="text-align: center;">Large Gripple for 8 Gauge Monofilament</p> <p style="text-align: center;">SKU: DE2840</p>	<p style="text-align: center;">D</p> <p style="text-align: center;">QTY: 1</p>  <p style="text-align: center;">Gripping Tightening Tool</p> <p style="text-align: center;">SKU: DE2844</p>
<p style="text-align: center;">E</p> <p style="text-align: center;">QTY: 1</p>  <p style="text-align: center;">9/16" Hog Ringer</p> <p style="text-align: center;">SKU: DE2870R</p>	<p style="text-align: center;">F</p> <p style="text-align: center;">QTY: 1 pk</p>  <p style="text-align: center;">9/16" Galvanized Hog Rings, 1000 pk.</p> <p style="text-align: center;">SKU: DE2870R</p>	<p style="text-align: center;">G</p> <p style="text-align: center;">(Refer to packing slip for QTY)</p>  <p style="text-align: center;">Monofilament Alignment Band for 1 5/8" Posts</p> <p style="text-align: center;">SKU: DE8468-01</p>	<p style="text-align: center;">H</p> <p style="text-align: center;">QTY: 1</p>  <p style="text-align: center;">Crimping Tool for Monofilament Sleeve</p> <p style="text-align: center;">SKU: DE2832</p>

Tensioning Wire Kit Instructions

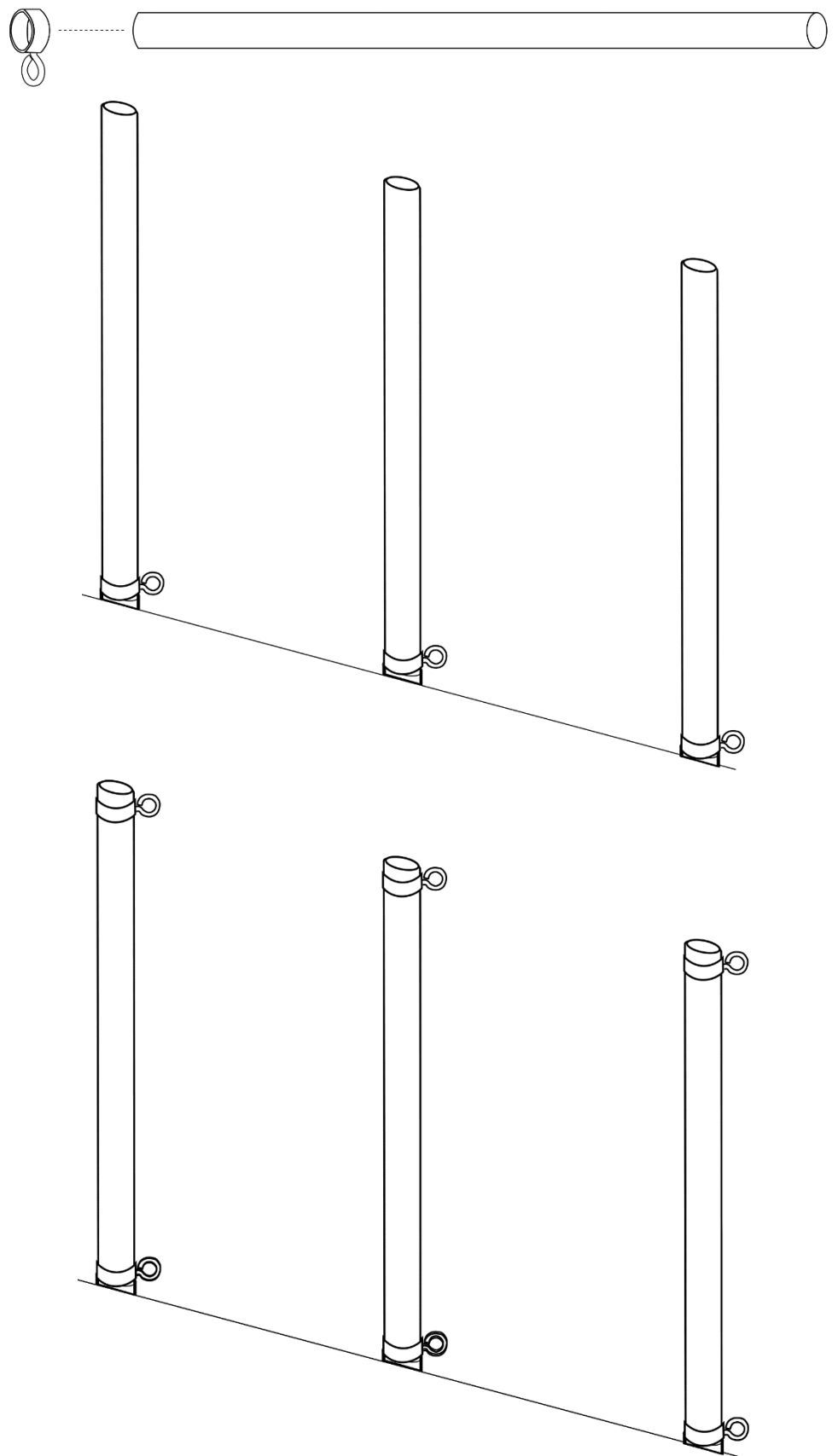
1. Before installing the posts for your fence system, attach **one (1) ALIGNMENT BAND (G)** to the bottom of all posts. Once posts are installed, attach remaining **ALIGNMENT BANDS (G)** to the top of all of posts. Adjust all **ALIGNMENT BANDS (G)** so that the eyehook is facing the **OUTSIDE EDGE** of the fence line and the bands are as close to the top and bottom of the post as possible.

Note: Tension kits only include enough alignment bands for top and bottom of the **LINE POSTS ONLY**, based off the total linear footage of the system. Additional bands for:

- **Access Gates (SKU: DE8468-01)**
- **Heavy Duty Corners, Heavy Duty Ends, and Driveway Gates (SKU: DE8469-01)**

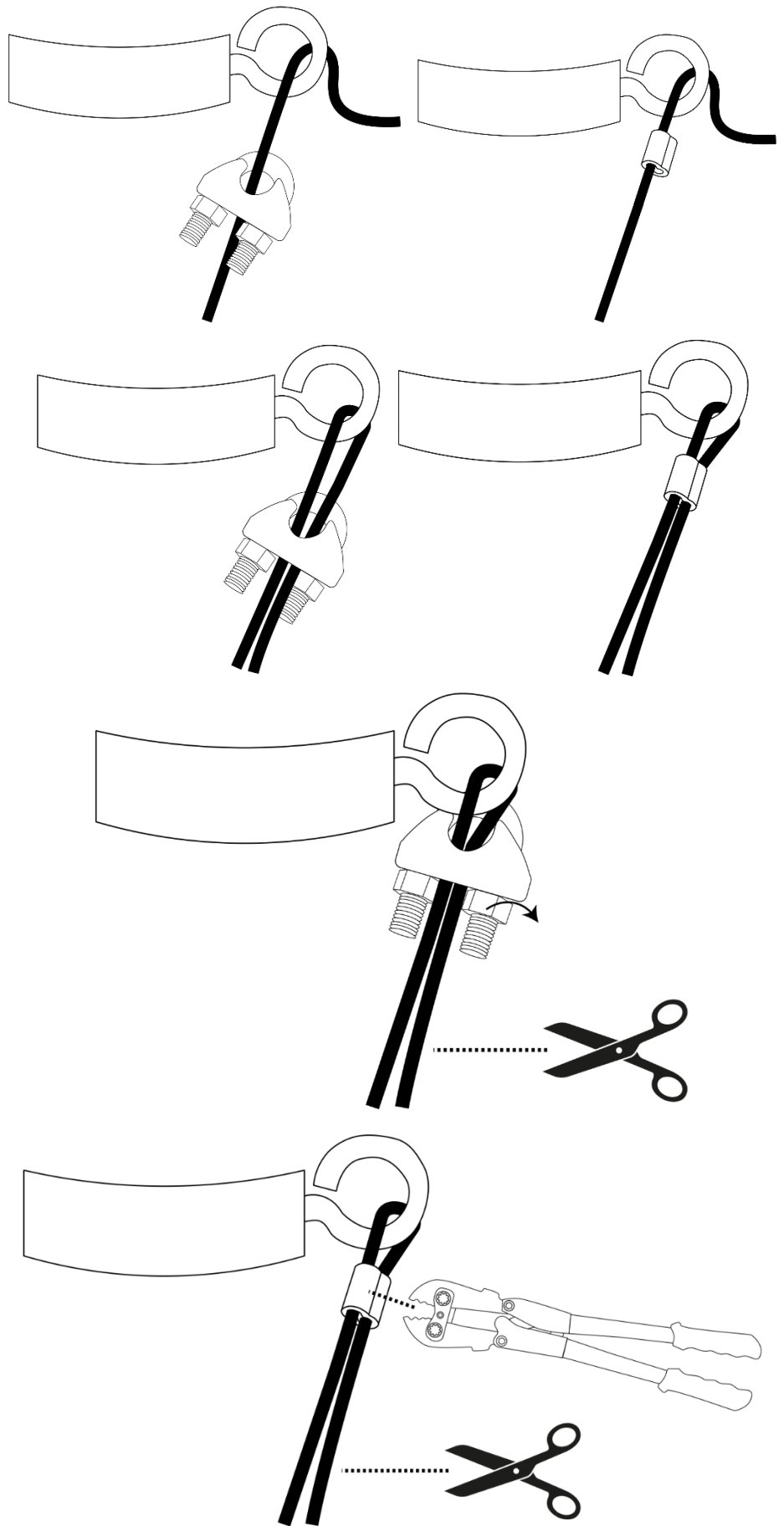
are **NOT INCLUDED**. You can still install a tension kit without the extra bands, see optional instructions below.

1.



2. To begin the tensioning line, start from a **BRACING POST**, i.e.: a corner or end post. Pass the **MONOFILAMENT WIRE (A)** through your **CONNECTION CLIP (B)** or **CONNECTION SLEEVE (B)**. Pass the wire through the eyehook of the **ALIGNMENT BAND (G)** and back through the **CONNECTION CLIP (B)** or **CONNECTION SLEEVE (B)**. Position either **CONNECTION CLIP (B)** or **CONNECTION SLEEVE (B)** close to the eyehook and tighten the nuts of the **CONNECTIONS CLIP (B)** or crimp the **CONNECTION SLEEVE (B)** with your **CRIMPING TOOL (H)**. Trim any excess wire.

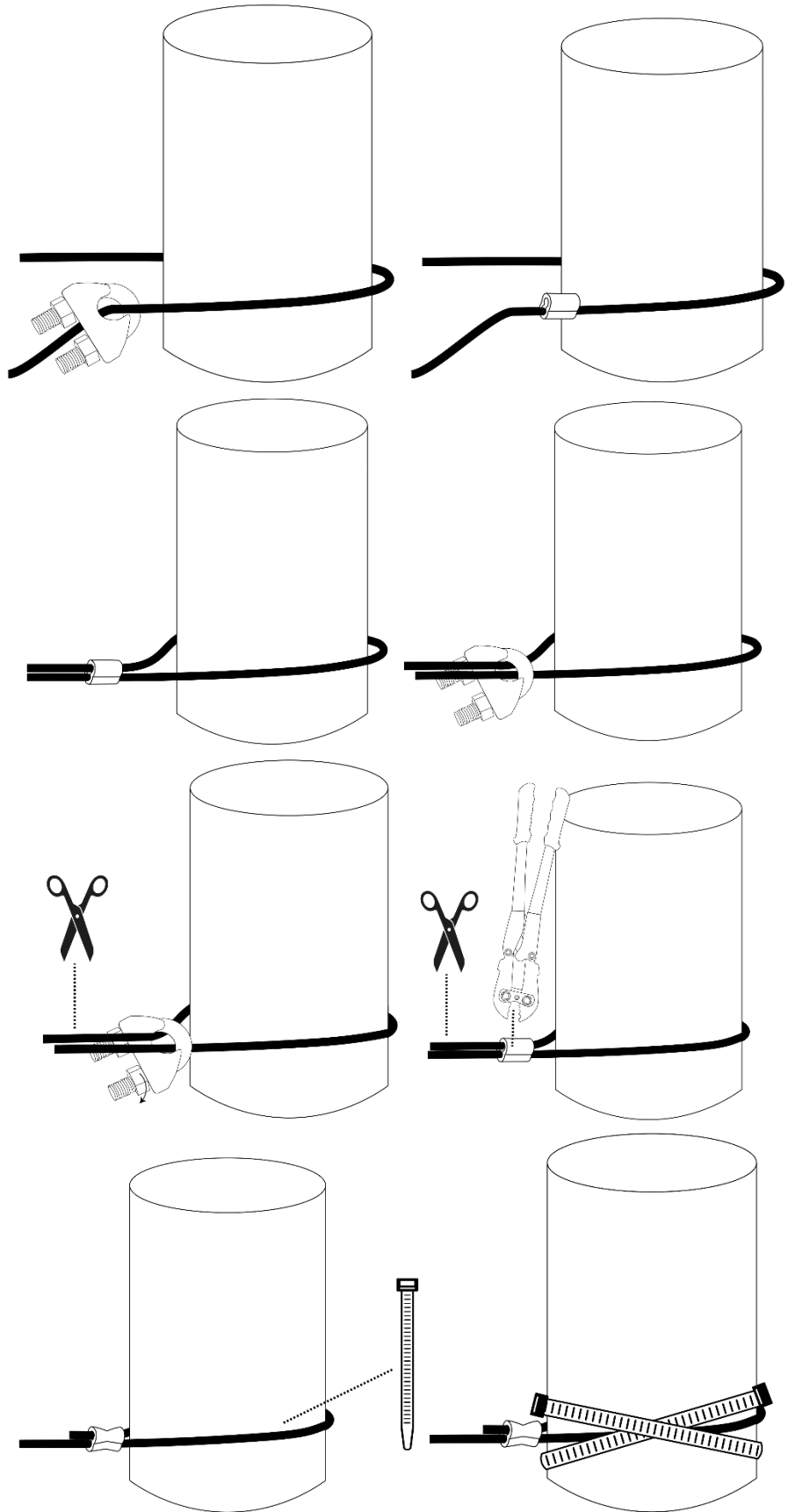
2.



How to Install Tension Line without Extra Alignment Bands

1. To begin the tensioning, start from a **BRACING POST**, i.e.: a corner or end post. Pass the **MONOFILAMENT WIRE (A)** through your **CONNECTION CLIP (B)** or **CONNECTION SLEEVE (B)**. Loop the wire around the post and back through the **CONNECTION CLIP (B)** or **CONNECTION SLEEVE (B)**. Position either **CONNECTION CLIP (B)** or **CONNECTION SLEEVE (B)** as close as possible to the post and tighten the nuts of the **CONNECTIONS CLIP (B)** or crimp the **CONNECTION SLEEVE (B)** with your **CRIMPING TOOL (H)**. To secure the wire from sliding up and down the post, cross two **SELF-LOCKING TIES (NOT INCLUDED)** forming an 'X' around the post and the **MONOFILAMENT WIRE (A)** and tighten the ties.

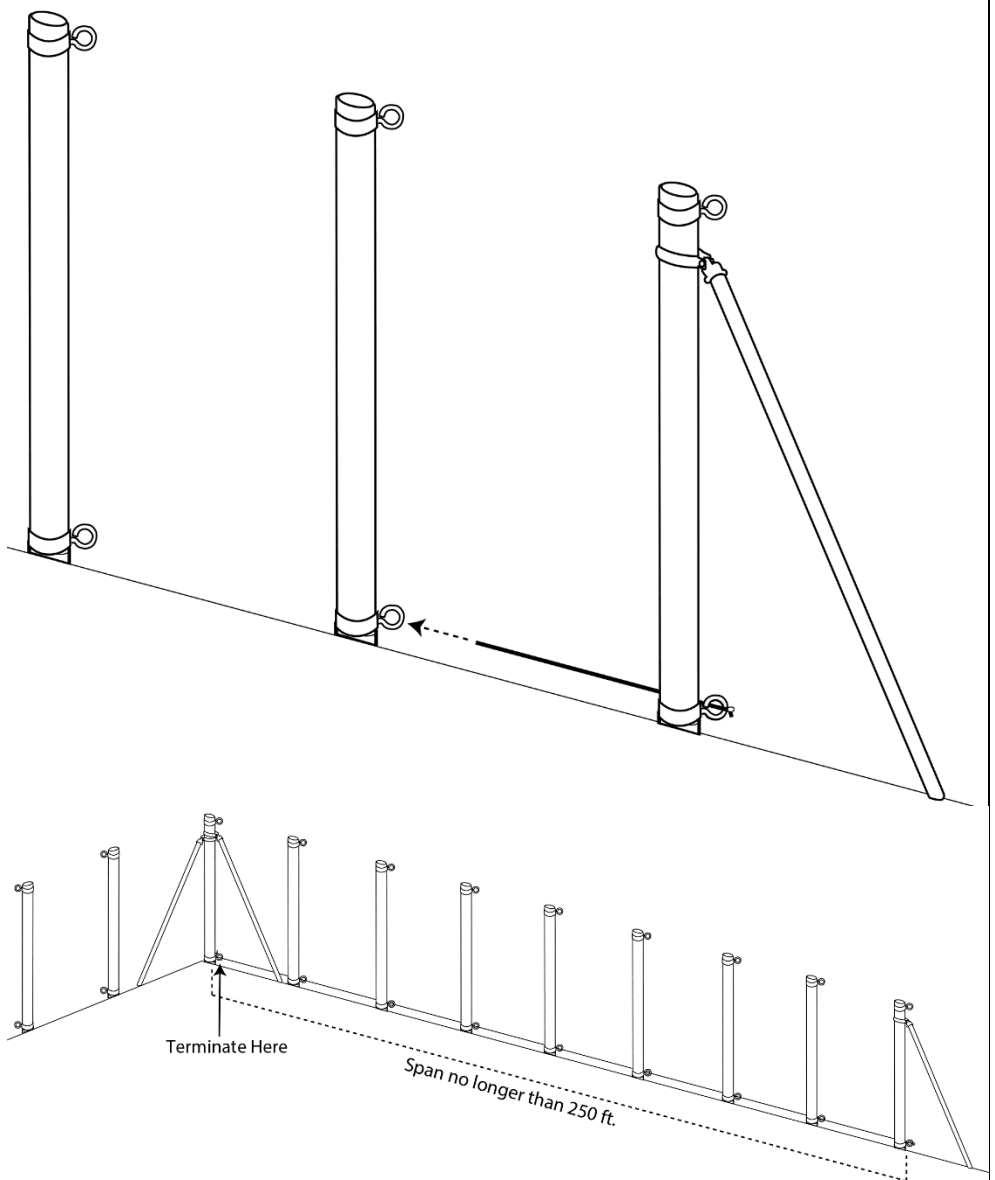
1.



3. From the bracing point, feed the end of the **MONOFILAMENT WIRE (A)** through every **ALIGNMENT BAND (G)** until you get to the next bracing post or termination point, i.e.: corner, end, or gate post. There should be a bit of slack in the wire. Repeat **STEP 2** to terminate the **MONOFILAMENT WIRE (A)** at the next bracing post and start your next run.

Note: Tension wire should not run longer than 250 feet. If the length between bracing posts is longer than 250 feet, terminate the **MONOFILAMENT WIRE (A)** at the nearest line post and start a new run from the same line post.

3.



4. To tighten the **MONOFILAMENT LINE (A)**, refer below based on tensioner provided:

Round Tightener

- Locate the midway point between bracing posts along your tension line. Place the **MONOFILAMENT WIRE (A)** at that point, in the center of **ROUND TIGHTENER (C)** and insert the **TIGHTENING TOOL (D)** in the large hole on the **ROUND TIGHTENER (C)**. Turn the **TIGHTENING TOOL (D)** clockwise to tighten the wire until it is taut. Secure the **ROUND TIGHTENER (C)** with the provided metal clip, making sure the clip is inserted into the holes **BEHIND** the wire and secured through both sides, before removing the **TIGHTENING TOOL (D)**.

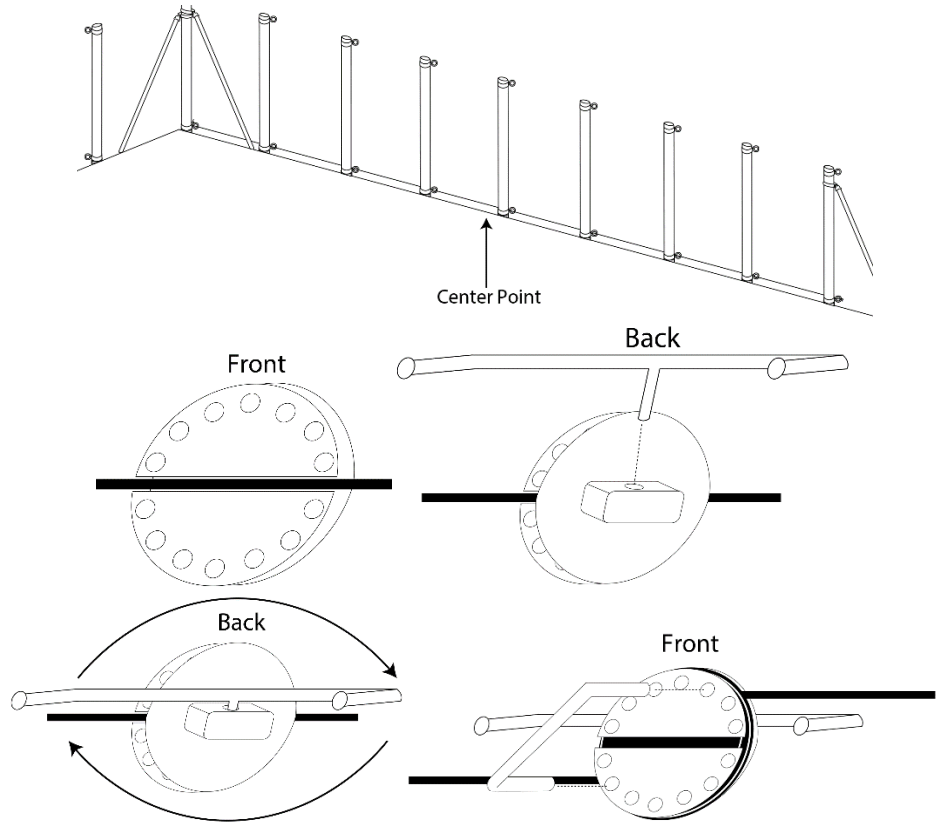
Grippler Tightener

- Locate the midway point between bracing posts along your tension line. Cut the **MONOFILAMENT WIRE (A)** at this center point. Feed each end of the cut wire through the top and bottom of the **GRIPPLE (C)**. Place the **GRIPPLE (C)** into the **GRIPPLE TIGHTENING TOOL (D)** and squeeze the handles together to begin tightening. Repeat until the **GRIPPLE TIGHTENING TOOL (D)** 'clicks' which indicates the desired tension has been achieved. Release the **GRIPPLE (C)** after tightening.

Note: We recommend setting your **GRIPPLE TIGHTENING TOOL (D)** to the 450 setting.

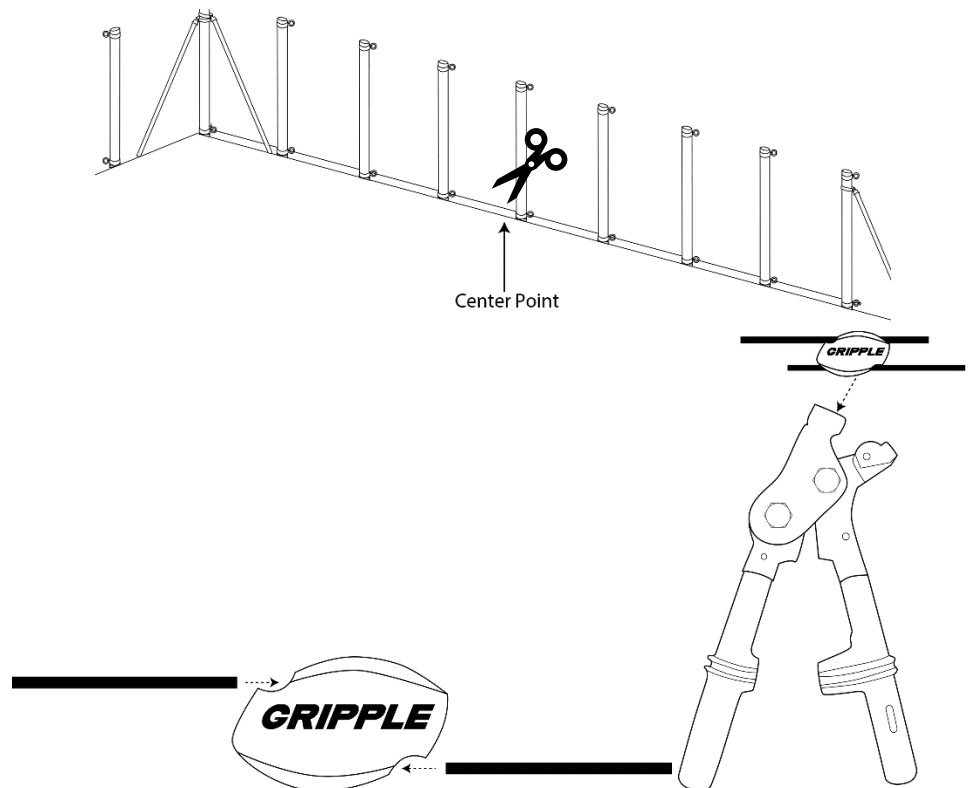
ROUND TIGHTENER

4.



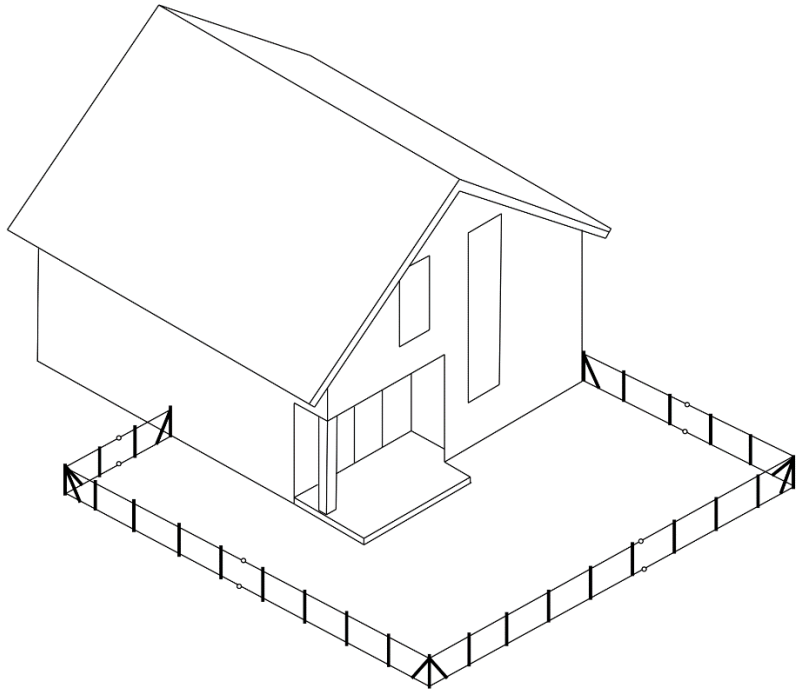
GRIPPLE TIGHTENER

4.



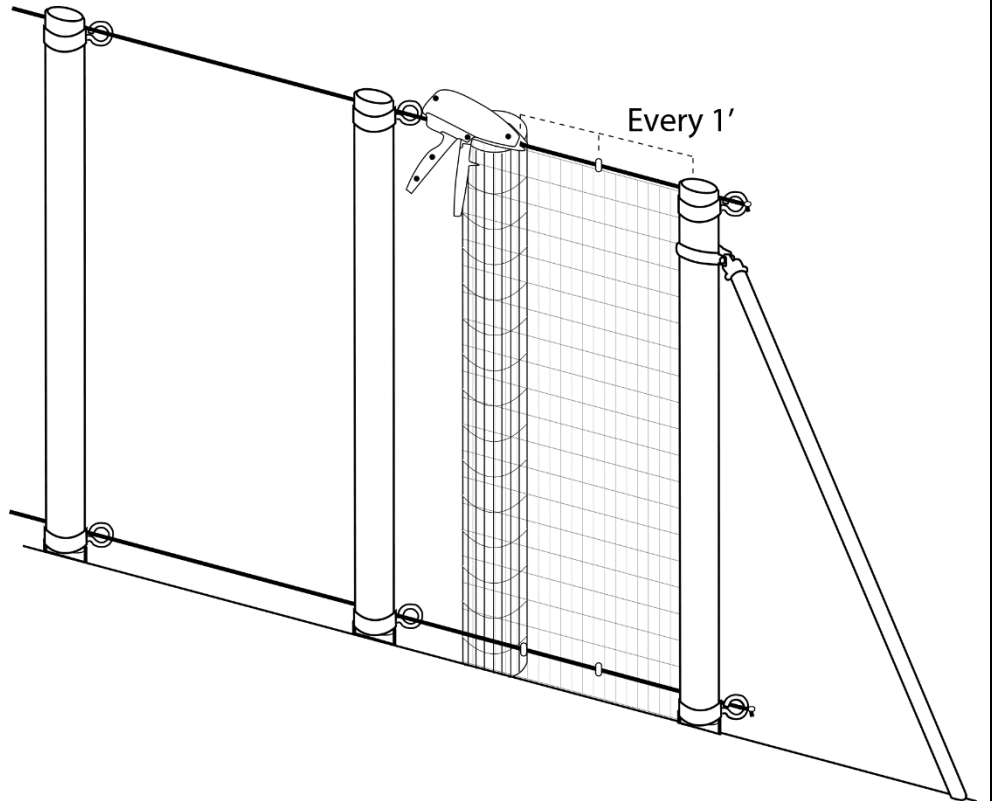
5. Repeat **STEPS 2-4** for top and bottom of the fence system and all sides of the system.

5.



6. Finally, as you install the fence mesh, attach the mesh to the top and bottom **MONOFILAMENT WIRE (A)** using your **HOG RINGER (E)** and clipping **HOG RINGS (F)** every 1' along the fence line.

6.



Note: You may have to space the **HOG RINGS (F)** further when approaching a line post as the eyehook on the **ALIGNMENT BANDS (G)** sticks out a few inches from the fence line.