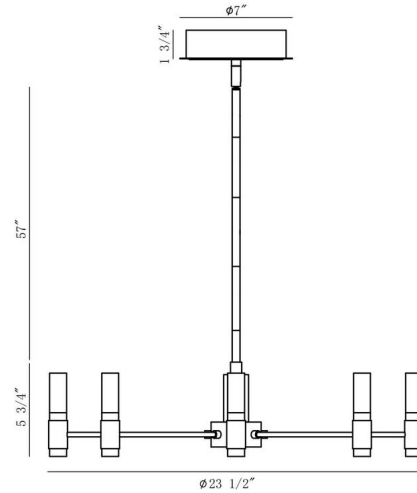


JOB NAME:

DATE:

TYPE:

COMMENTS:



LIGHT INFORMATION

Light Type	Integrated LED
CRI	90
Delivered Lumens	1710
Color Temperature	3000K
LED Lifespan (L70)	20000
Number of Lights	16
Light Direction	Up & Down
Dimming Method	Triac/Elv
Current Type	DC
Input Voltage	120
Total Wattage	38

DIMENSIONS & WEIGHT

Height (In)	5.75
Min Height (In)	10.5
Max Height (In)	64.5
Diameter (In)	23.5
Weight (Lbs)	9.92

INSTALLATION

Mounting Type	J-Box
Rating	Dry
Hanging Support Type	Rod

PRODUCT FINISH

Brass-Black Mix

SHADE FINISH

Cylinder White Acrylic

CERTIFICATIONS & COMPLIANCE

