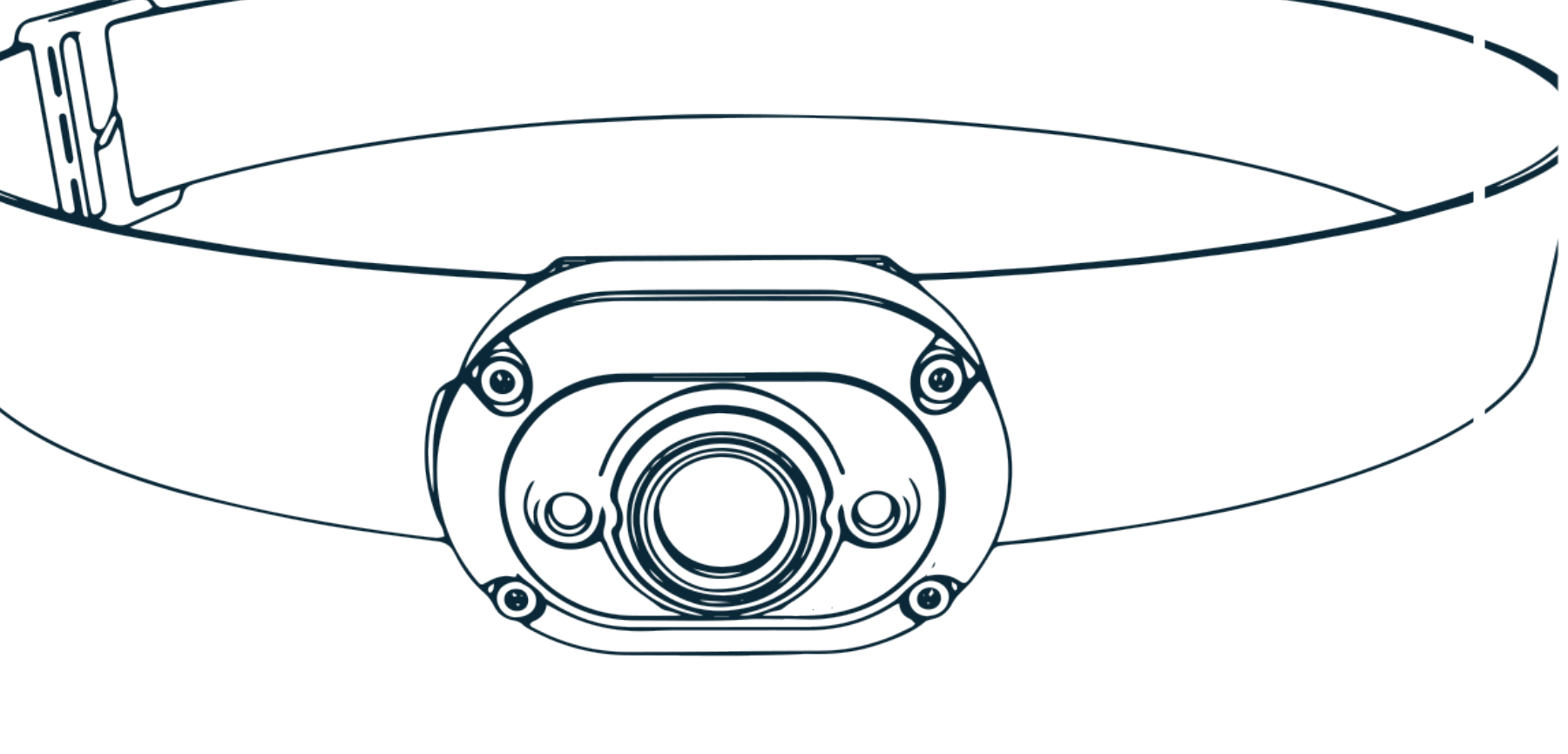


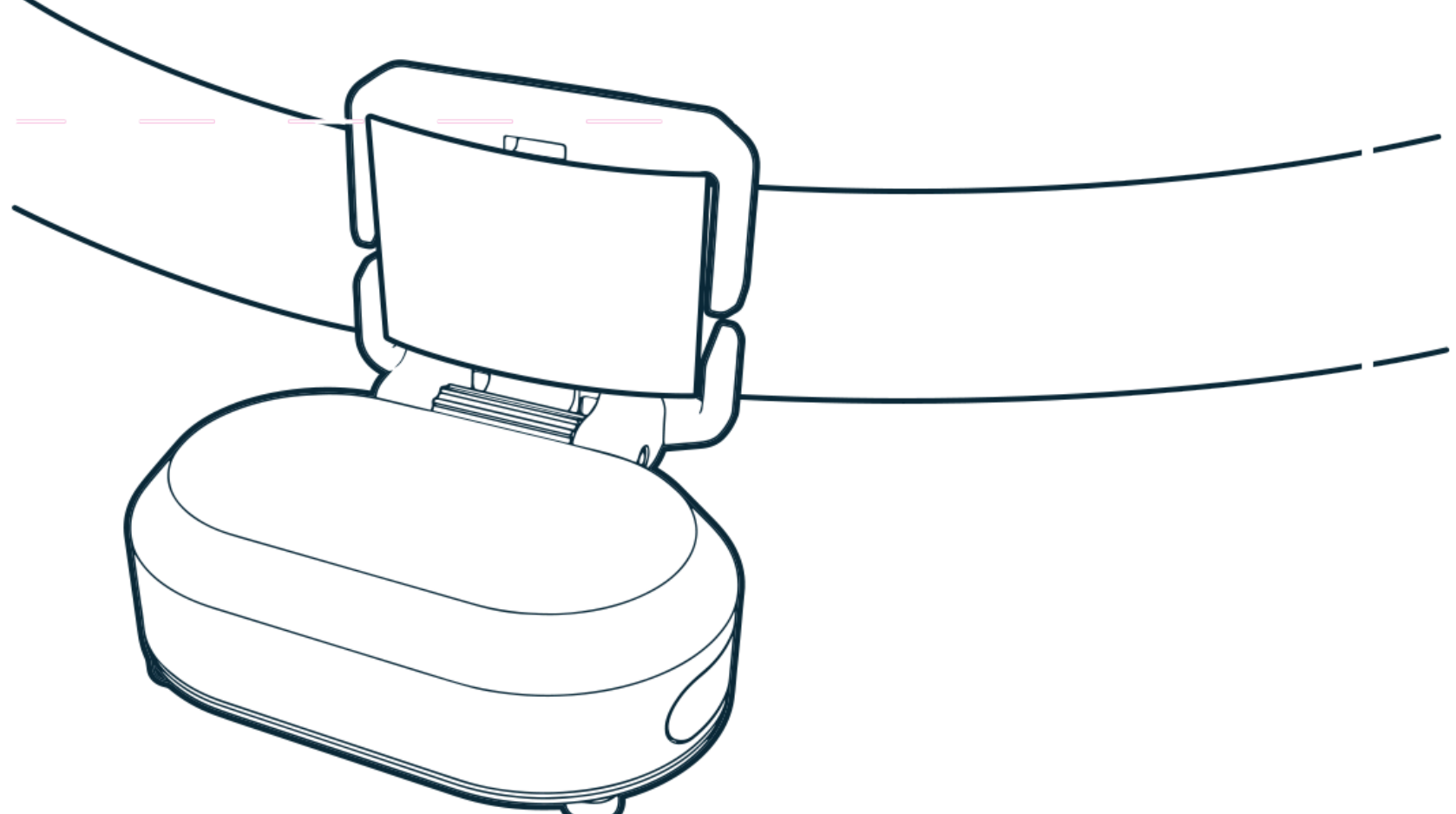
MYCRO™ **RED**

HEADLAMP & CAP LIGHT



MYCRO RED

The rechargeable MYCRO RED Headlamp & Cap Light features a 110 lumen Turbo Mode, 3 additional light modes, 90° adjustable tilt and a USB to Micro USB charging cable.



HEAD STRAP

To use the Head Strap, simply thread it through the clips on both sides of the mount.

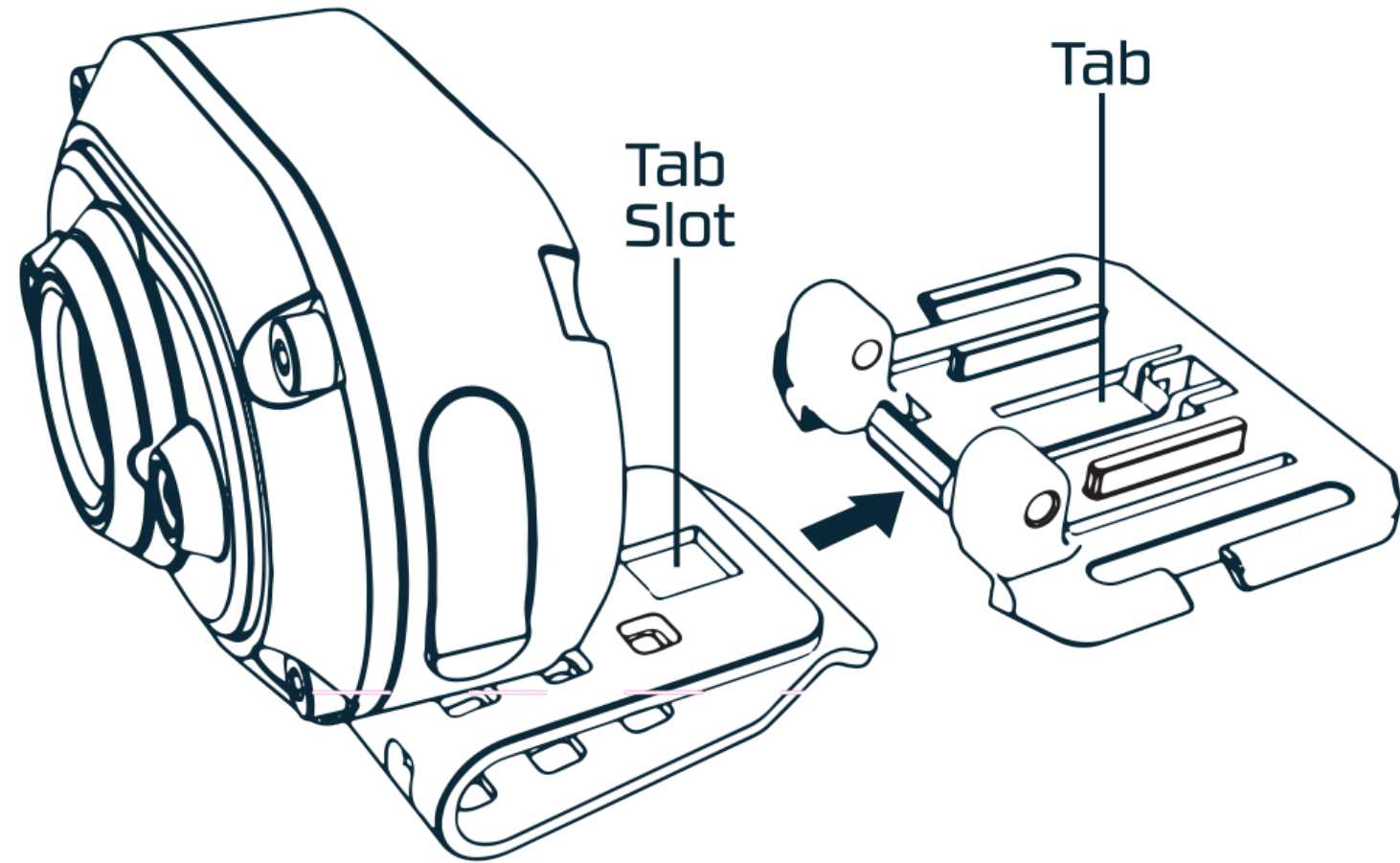
BATTERY

This unit is powered by an internal rechargeable battery that cannot be replaced.

MODES	LUMENS	RUN TIME	METERS
TURBO	110	30s	59
HIGH	40	1h 30m	35
MEDIUM	20	3h	22
LOW	5	5h	11

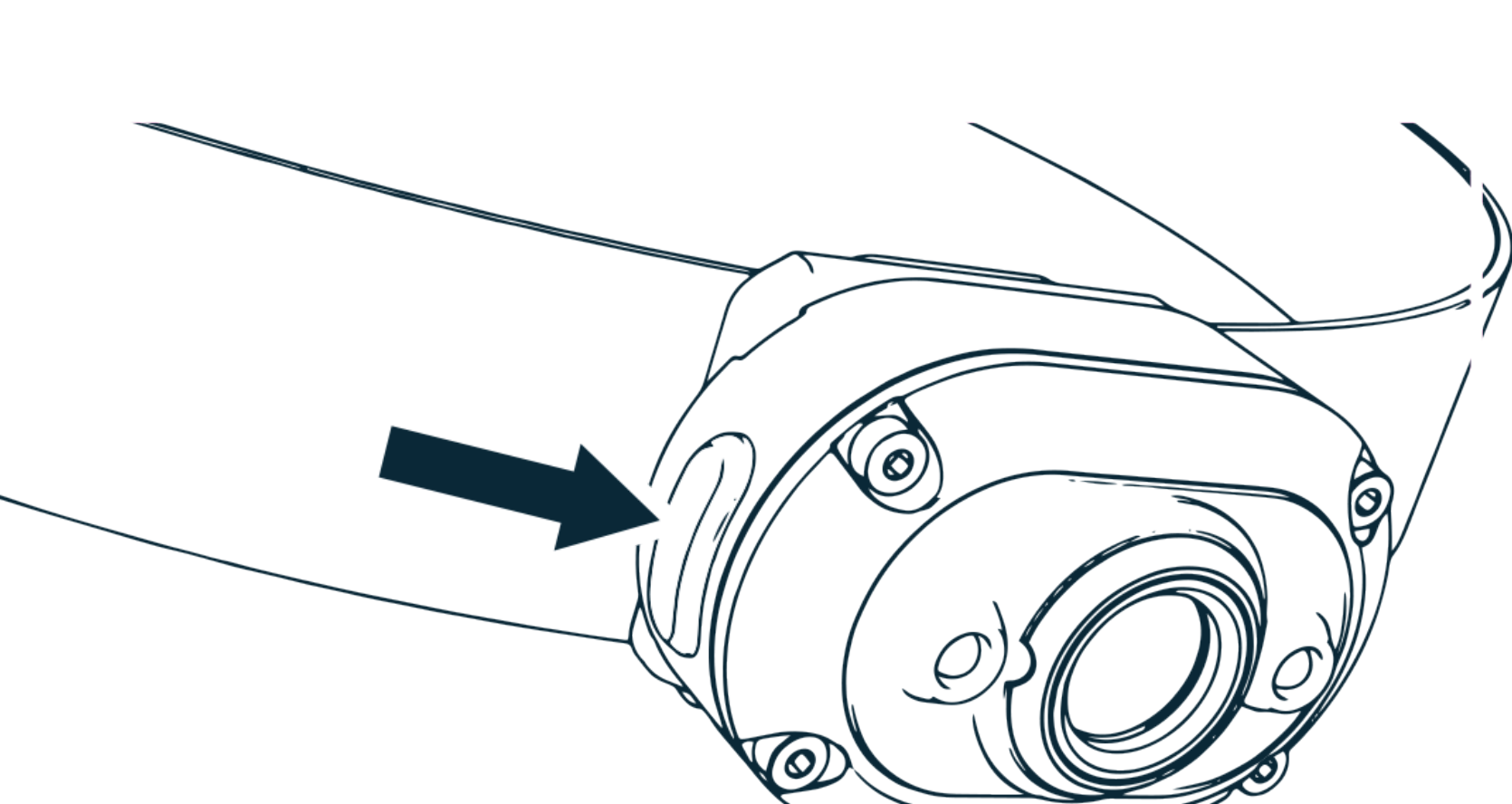
Once the light has been ON for 8 seconds, the next button push will turn the light OFF. After the MYCRO has been turned OFF, the next button push will activate the last used mode.

Smart Power Control (SPC) seamlessly transitions through light modes.



VERSATILE CLIP

Provides 135° adjustable tilt and use as a cap light when the head strap unit is removed. To remove, pull Tab upwards to detach from Tab Slot and pull unit away from the MYCRO. To reattach, simply push back into place.



OPERATION

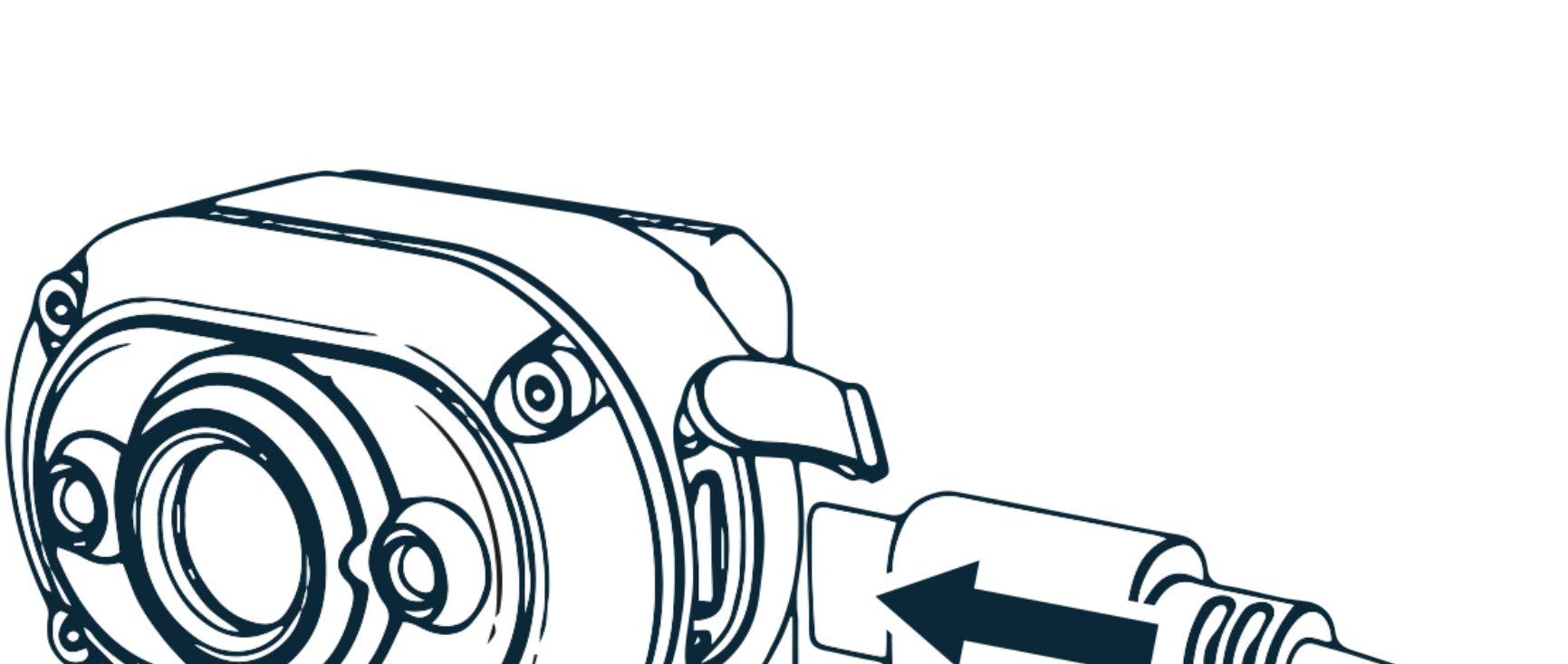
Press the Power Button to turn the unit on and cycle through modes

Off > High > Medium > Low

Press & hold for **Turbo** when the unit is On.

Press & hold for **Direct-to-Low** when unit is Off.

Press to activate **Last Used Mode** when unit is Off.



USB RECHARGEABLE

Use the included charging cable to recharge the MYCRO RED.

The charging indicator glows **red** when charging; **green** when fully charged.

All copyrighted and copyrightable materials, including without limitation, the logo, design, text, graphics, pictures, copywriting and the selection and arrangement ("Materials") thereof all ALL RIGHTS RESERVED Copyright © 2021 Alliance Sports Group, LP.

This product is guaranteed against all defects in workmanship and materials for the original owner for one year from the date of purchase.



For more information, detailed video instructions, and warranty registration, visit NEBOLIGHTS.com