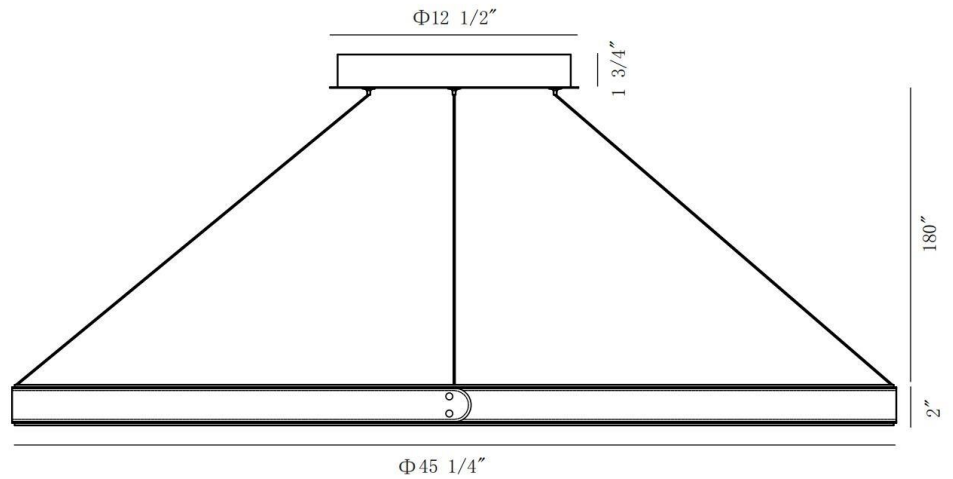


JOB NAME:

DATE:

TYPE:

COMMENTS:



LIGHT INFORMATION

Light Type	Integrated LED
CRI	90
Delivered Lumens	3180
Color Temperature	3500K
LED Lifespan (L70)	20000
Light Direction	Ambient
Dimming Method	Triac/Elv
Current Type	DC
Input Voltage	120
Total Wattage	102

DIMENSIONS & WEIGHT

Height (In)	2
Min Height (In)	28.75
Max Height (In)	183.75
Diameter (In)	45.25
Weight (Lbs)	13

INSTALLATION

Mounting Type	J-Box
Rating	Dry
Hanging Support Type	Wire

PRODUCT FINISH

Matte Grey

SHADE FINISH

Circle White Acrylic

CERTIFICATIONS & COMPLIANCE

