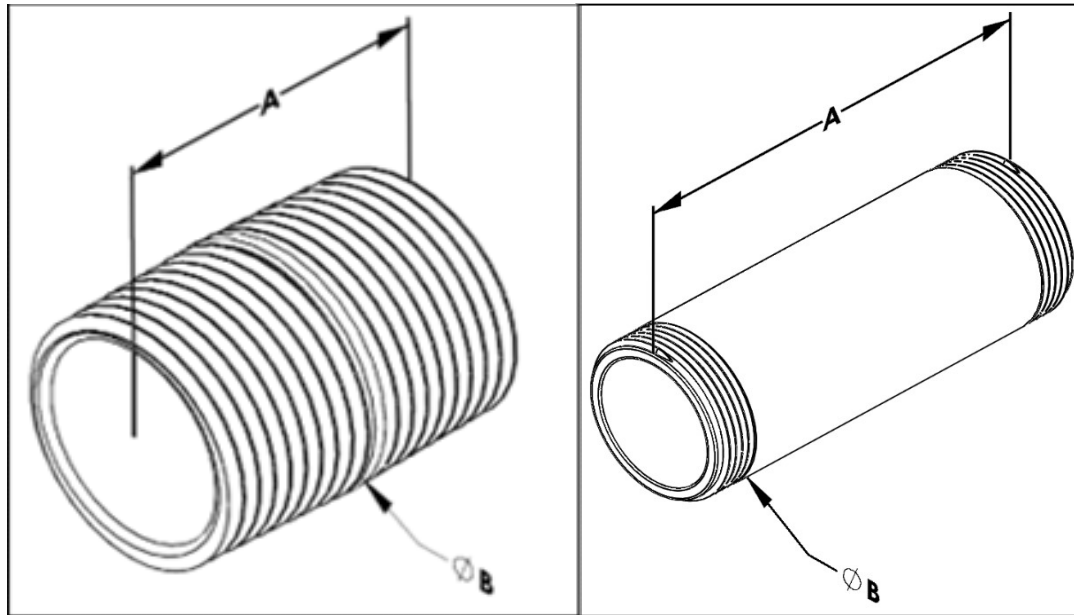


Bridgeport Rigid Nipples, Couplings, MI Hubs Drawing



			Conduit Length- Dimension A												
Trade Size	Diameter B	Close Length	1 1/2	2	2 1/2	3	3 1/2	4	4 1/2	5	5 1/2	6	8	10	12
1/2"	Ø0.84	1.12	X	X	X	X	X	X	X	X	X	X	X	X	X
3/4"	Ø1.05	1.37	X	X	X	X	X	X	X	X	X	X	X	X	X
1"	Ø1.315	1.50		X	X	X	X	X	X	X	X	X	X	X	X
1 1/4"	Ø1.66	1.62		X	X	X	X	X	X	X	X	X	X	X	X
1 1/2"	Ø1.90	1.75		X	X	X	X	X	X	X	X	X	X	X	X
2"	Ø2.375	2.00			X	X	X	X	X	X	X	X	X	X	X
2 1/2"	Ø2.875	2.50				X	X	X	X	X	X	X	X	X	X
3"	Ø3.50	2.50				X	X	X	X	X	X	X	X	X	X
3 1/2"	Ø4.00	2.75						X	X	X	X	X	X	X	X
4"	Ø4.50	2.75						X	X	X	X	X	X	X	X
5"	Ø5.563	3.00							X	X	X	X	X	X	X
6"	Ø6.625	3.50							X	X	X	X	X	X	X