

FEATURES:

1. Versatile and reusable set-screw connectors made of 6061T-6 aluminum alloy.
2. Electro-tin plated for low contact resistance.
3. For use with copper or aluminum conductors

SPECIFICATIONS:

1. Finish: Tin Plated
2. Material: 6061T-6 Aluminum Alloy
3. Voltage: 600V max.
4. UL Standard: UL 486A-486B

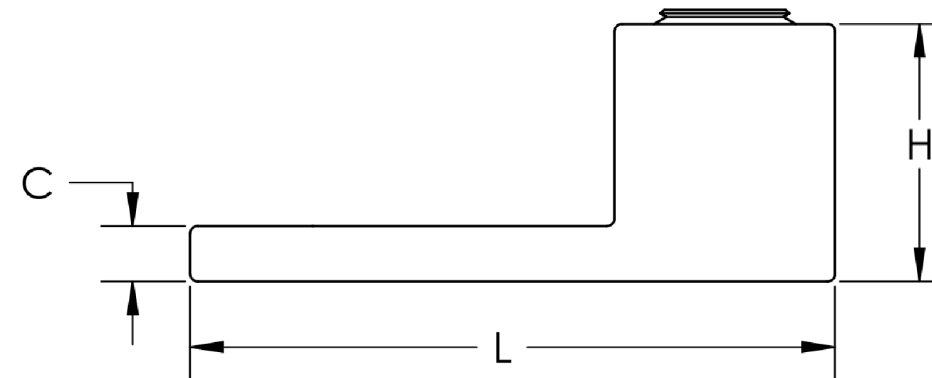
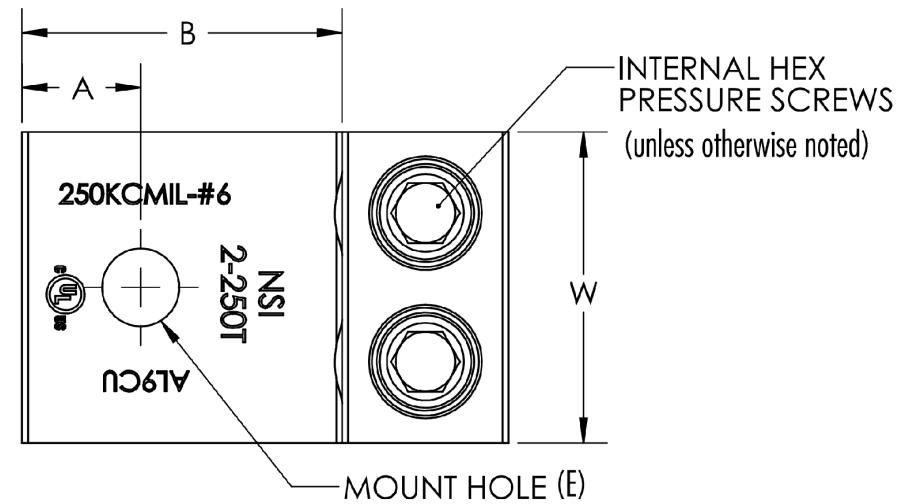


FIGURE 1

CAT. NO.	FIG. NO.	WIRE RANGE	MTG. BOLT SIZE	MAX TORQUE VALUE (IN./LBS.)	HEX WRENCH SIZE (IN.)	MTG. HOLE DIA.(E) (IN.)	LENGTH (L) (IN.)	WIDTH (W) (IN.)	HEIGHT (H) (IN.)	TANG LENGTH (A) (IN.)	TANG LENGTH (B) (IN.)	TANG THICKNESS (C) (IN.)
600T-MOD	1	600 MCM - 2 AWG	3/8	-	3/8	0.531	3.187	1.385	1.5130	.888	1.880	0.385