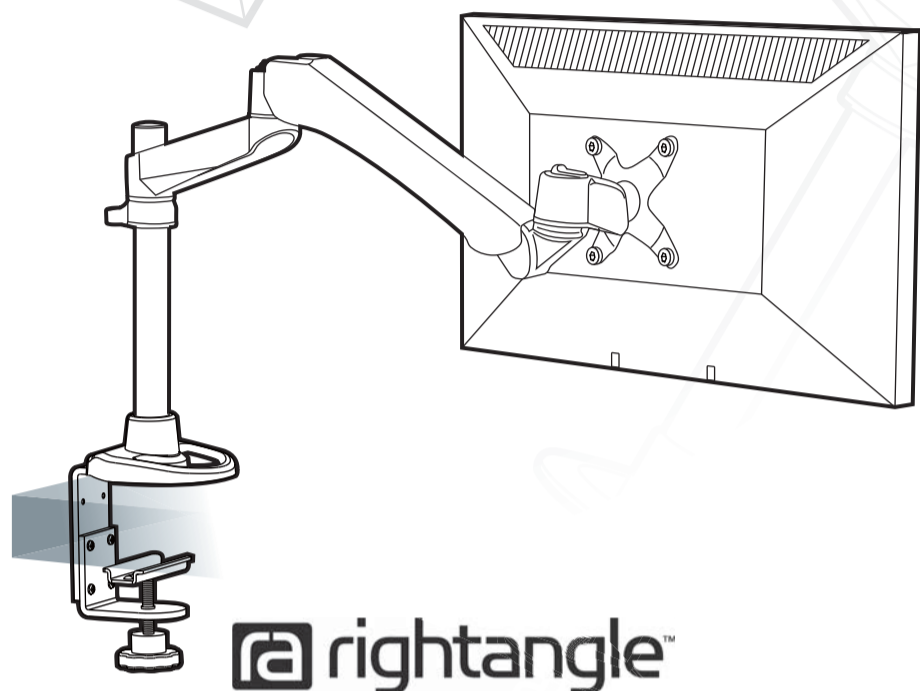


HOVER
SERIES 2
raproducts.com

**LCD ARM SYSTEM
USER'S MANUAL**



info@raproducts.com
www.raproducts.com
800.298.4351

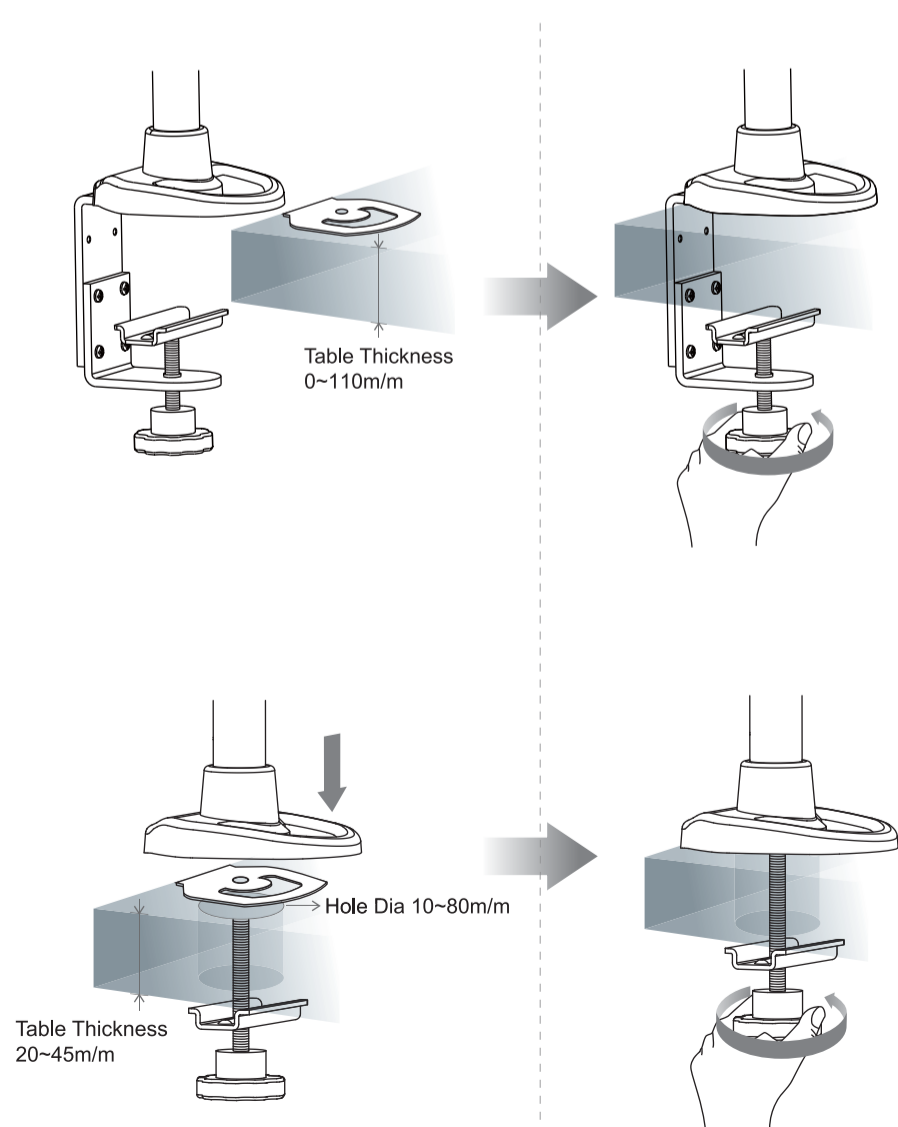
71H016135-004

Supplied Parts and Hardware

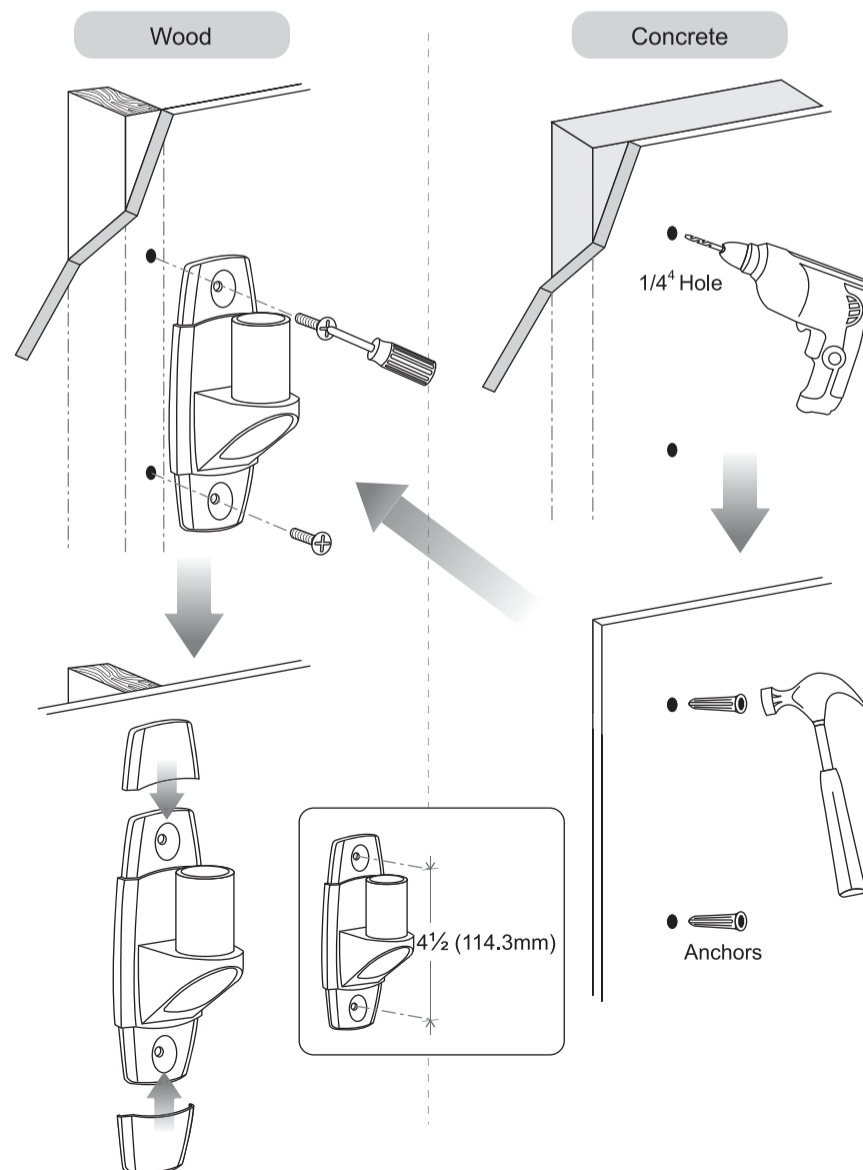
Model Parts	HS1101	HS1111	HS1121	HS0100	HS0110	HS0120	HS3101	HS3111	HS3221	HS1211	HS1221	HS1422	HS1321	HS1412	HS1202	HS1212	HS1222
Wall Mount #52447 with Anchor (x2), Screw (x2)				•	•	•											
M6 Wrench #52457							•	•	•								
M3 Wrench #52456	•	•	•	•	•	•	•	•	•	•	•	•	•	•	•	•	•
EVA Cushion	•	•	•				•	•	•	•	•	•	•	•	•	•	•
Spring Arm #52449							x1	x1	x2								
Swivel Arm #52448		• x1	• x2		• x1	• x2		• x1	• x2	• x2	• x4	• x8	• x4	• x4		• x2	• x4
Monitor Bracket with Hardware M4x12mm #52446	• x1	• x1	• x1	• x1	• x1	• x1	• x1	• x1	• x2	• x2	• x2	• x4	• x3	• x4	• x2	• x2	• x2
HS Black Adjustable Ring #52459	• x1	• x1	• x1						• x1	• x1	• x1	• x2	• x2	• x2	• x2	• x2	• x2
82mm (3.2") Post with service kit #52455							•	•									
30cm (11.8") Post with service kit #52453	•	•	•						•	•	•						
50cm (19.7") Post with service kit #52454												•	•	•	•	•	•
Dual Stand #52450										• x1	• x1	• x2	• x1	• x2			

1 Installation Options

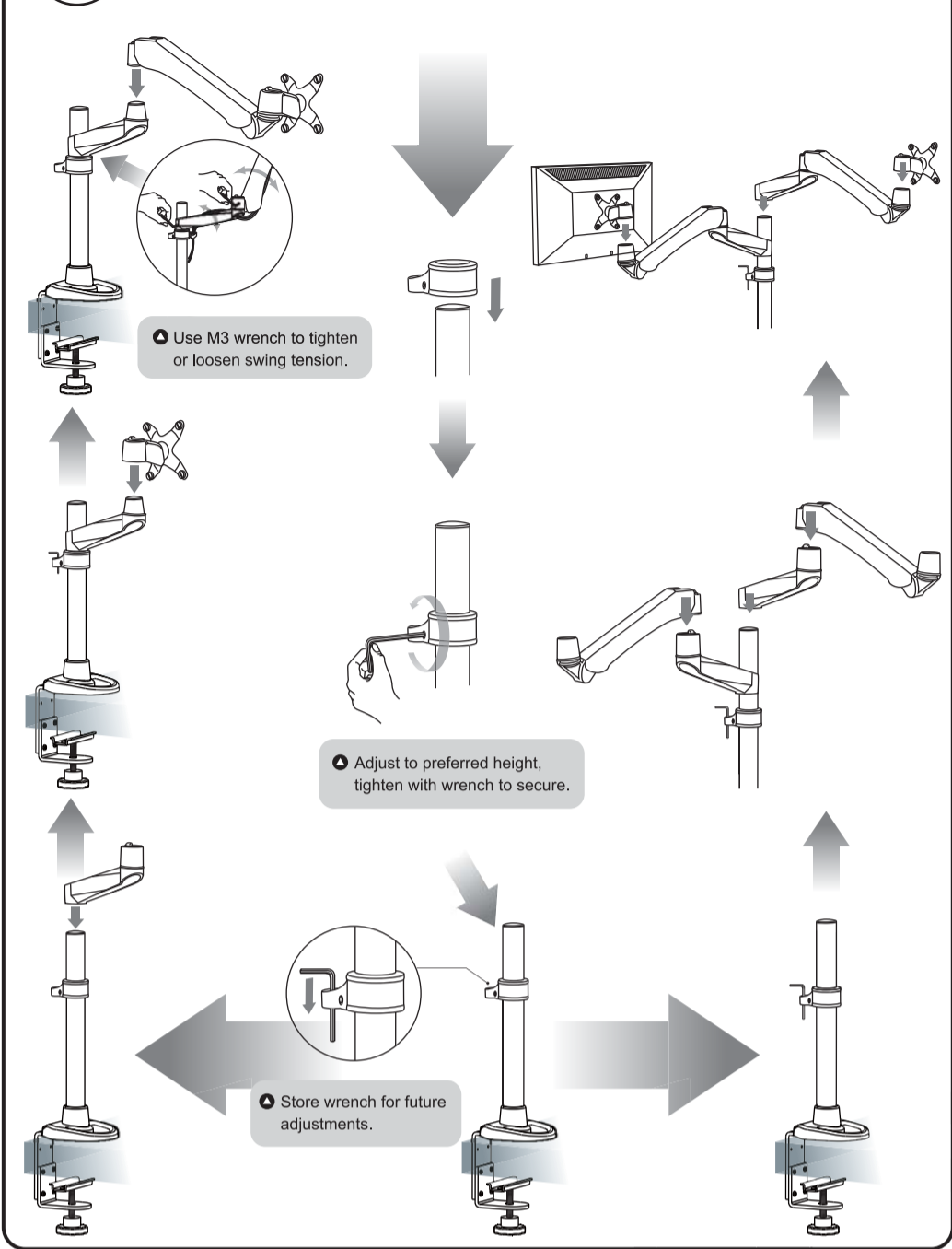
A Pole with Clamp / Grommet Attachment



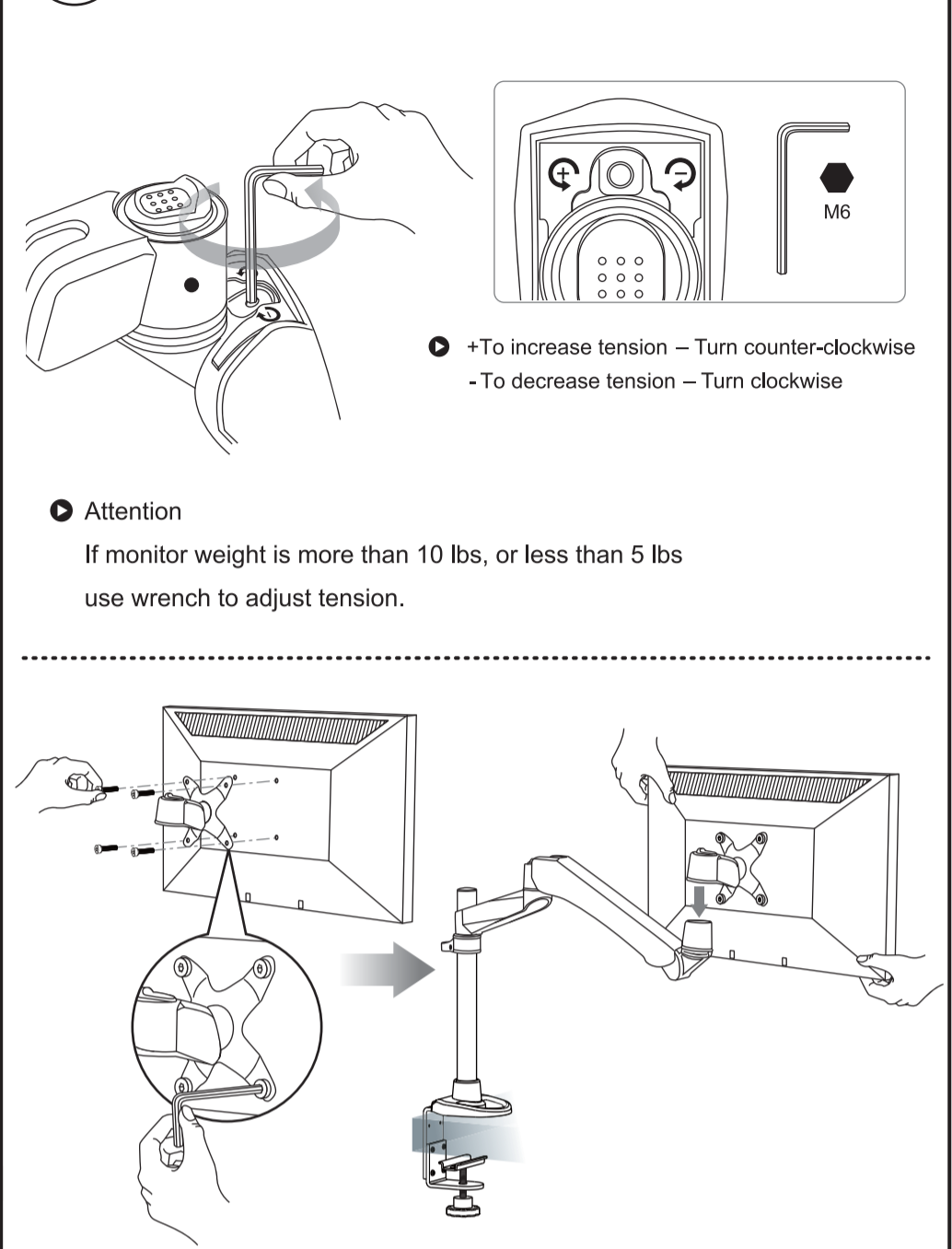
B Wall Mount



2 Install Arms



3 Install Monitors



Features and Specifications

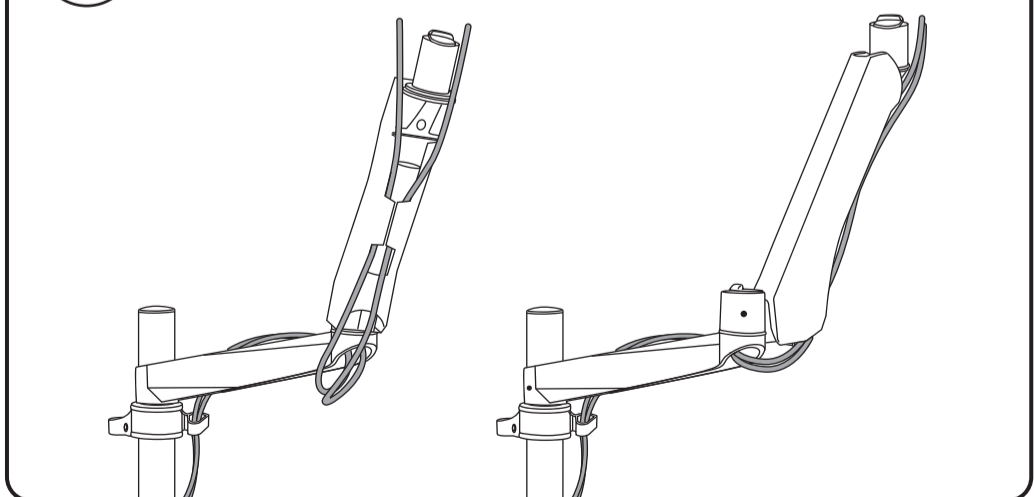
	VESA	LIFT	ANGLE	PIVOT	SWIVEL	PAN	TILT	EXTENSION	VERTICAL	Wt.Load
HS1101	75x75mm 100x100	0-200mm		360°	360°	360°	105°			< 33lbs
HS1111	75x75mm 100x100	0-200mm		360°	360°	270°	105°	0-200mm		< 33lbs
HS1121	75x75mm 100x100	0-200mm		360°	360°	270°	105°	0-390mm		< 33lbs
HS0100	75x75mm 100x100			360°	240°	20°	105°			< 33lbs
HS0110	75x75mm 100x100			360°	240°	180°	105°	0-200mm		< 33lbs
HS0120	75x75mm 100x100			360°	240°	270°	105°	0-390mm		< 33lbs
HS3101	75x75mm 100x100		100°	360°	360°	360°	105°	0-200mm	0-270mm	4-20lbs
HS3111	75x75mm 100x100		100°	360°	360°	360°	105°	0-400mm	0-270mm	4-20lbs
HS3221	75x75mm 100x100	0-200mm	100°	360°	360°	360°	105°	0-400mm	0-270mm	4-20lbs
HS1211	75x75mm 100x100	0-200mm	100°	360°	360°	360°	105°	0-400mm	0-270mm	4-20lbs
HS1221	75x75mm 100x100	0-200mm		360°	360°	360°	105°	0-390mm		< 33lbs
HS1422	75x75mm 100x100	0-400mm		360°	360°	360°	105°	0-390mm		< 33lbs
HS1321	75x75mm 100x100	0-200mm		360°	360°	360°	105°	0-390mm		< 33lbs
HS1412	75x75mm 100x100	0-335mm		360°	360°	360°	105°	0-260mm		< 33lbs
HS1202	75x75mm 100x100	0-360mm		360°	360°	360°	105°			< 33lbs
HS1212	75x75mm 100x100	0-330mm		360°	360°	360°	105°	0-200mm		< 33lbs
HS1222	75x75mm 100x100	0-330mm		360°	360°	360°	105°	0-390mm		< 33lbs

Warning:

To avoid personal injury please lift arm into "UP" position when removing monitor as load free arm may move upward unexpectedly.



4 Wire Management



Warranty

All RightAngle™ Products are warranted to be free of defects due to manufacturing or materials for a period of five years from shipment date. We will replace any defective part after inspection by a K & A Manufacturing, Inc., authorized agent. Customer is responsible for shipping charges to and from RightAngle™ Products. Costs incurred due to product replacement such as installation, labor charges, or transportation are not covered under this warranty. Modification of original product voids warranty and is non-refundable.