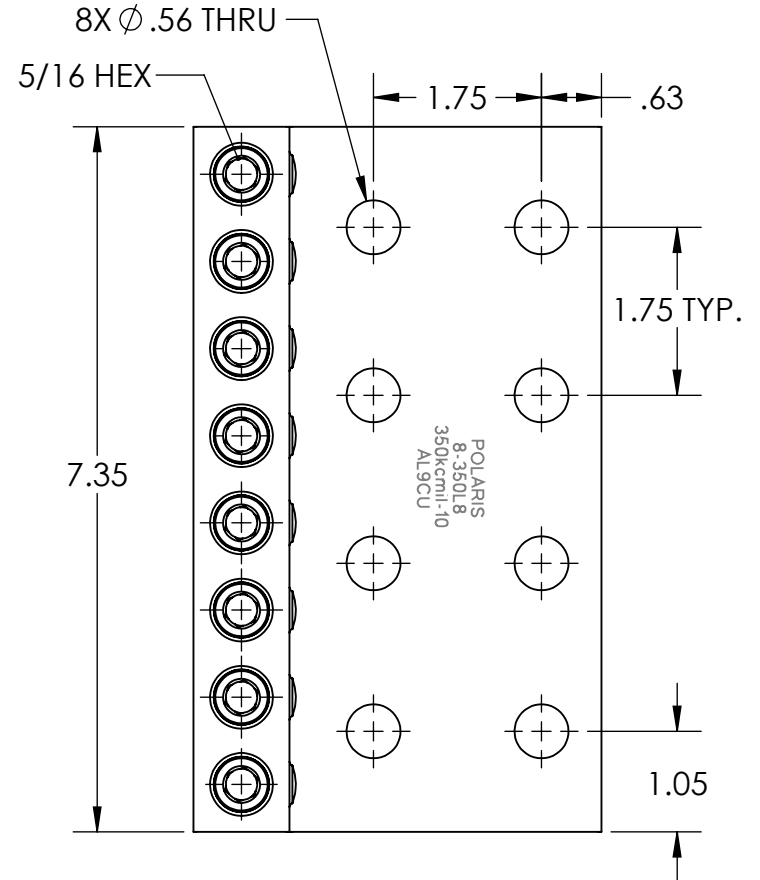
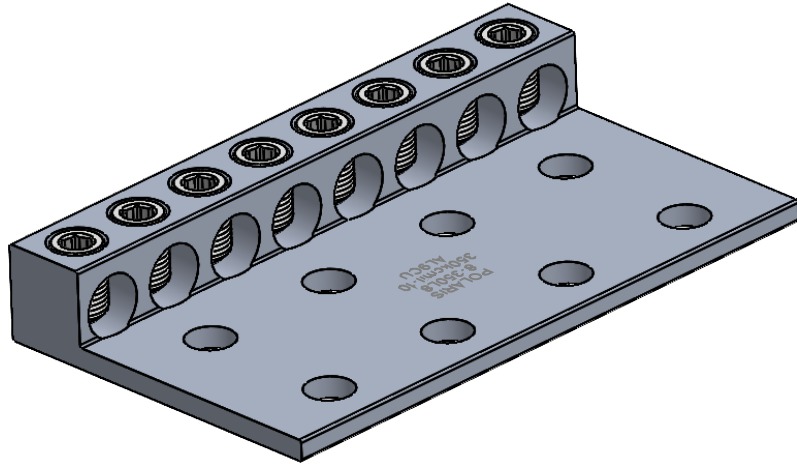
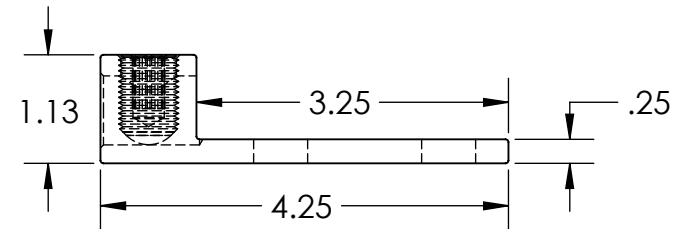
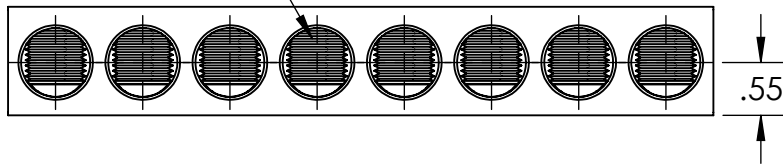


PROGRAM:	SOLIDWORKS
UPDATED:	2/13/2025
SALES REV:	A
SIZE:	A (8.5x11) (IN)



(8) 350KCMIL-10
CONDUCTOR PORTS



FEATURES:

1. Material: Aluminum.
2. Wire connector rated for 35Kv max.
3. Class B/C compressed, concentric, and compact conductor only.
4. Dual rated AL-CU.