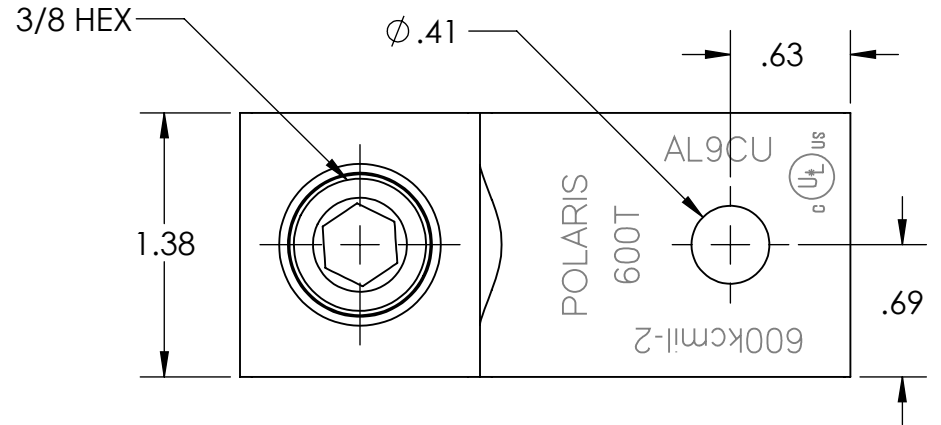
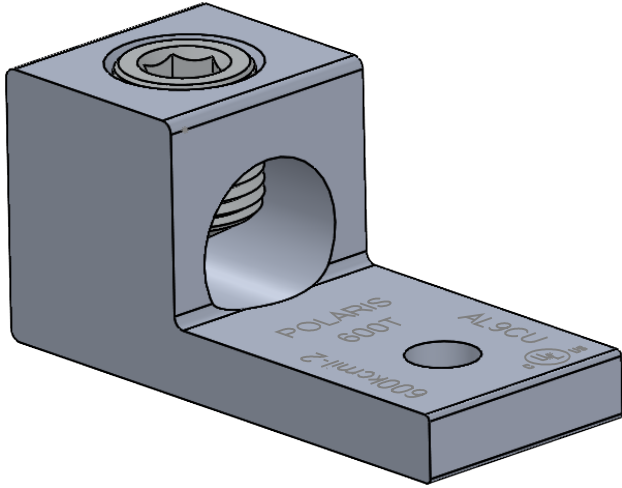
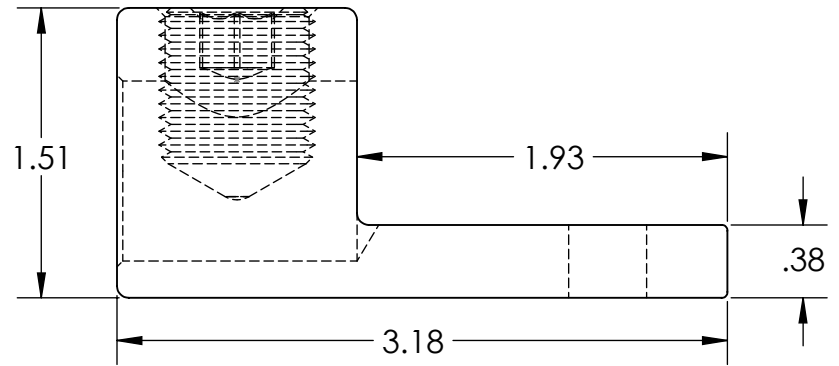
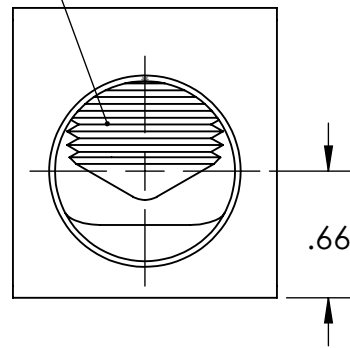


| | |
|-------------------|-----------------|
| PROGRAM: | SOLIDWORKS |
| UPDATED: | 11/19/2024 |
| SALES REV: | A |
| SIZE: | A (8.5x11) (IN) |



(1) 600KCMIL-2
CONDUCTOR PORT



FEATURES:

1. Material: Tin Plated Aluminum.
2. Wire connector rated for 35Kv max.
3. Class B/C compressed, concentric, and compact conductor only.
4. Dual rated AL9CU.

