

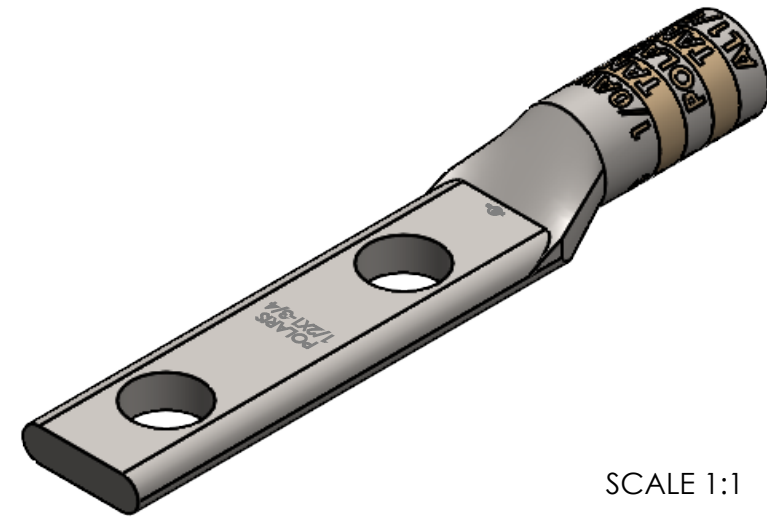
FEATURES:

1. Material: Tin Plated Aluminum
2. UL listed for U.S. & Canada.
3. Wire connector rated for 35Kv max.
4. Class B/C compressed, concentric, and compact conductor.
5. Dual rated AL9CU.
6. Expanded wire range when installed with dieless NSi compression tool (N12ID).
7. Dimensions are for reference only, tolerance is +/- .06".

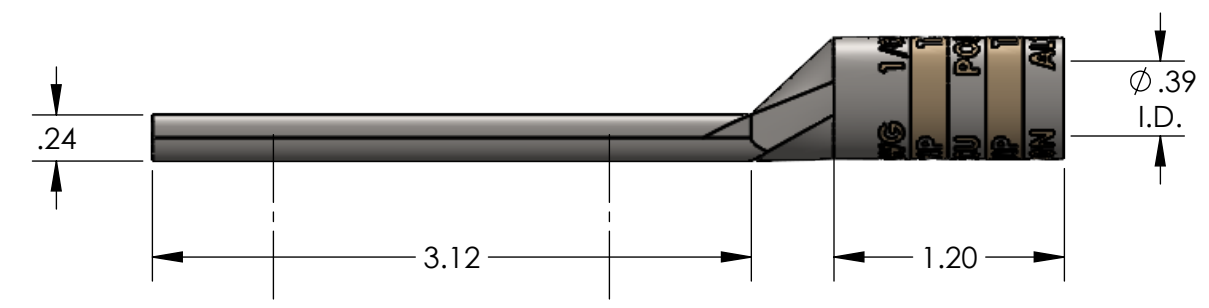
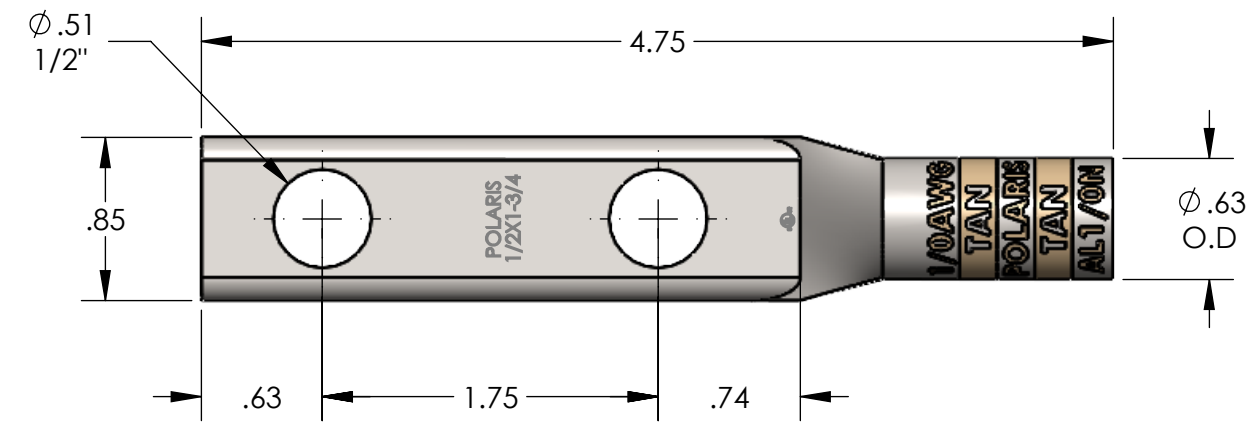
AL-N Series: AL1/0N



PROGRAM:	SOLIDWORKS
UPDATED:	4/2022
SALES REV:	A
SIZE:	B (11x17)



SCALE 1:1



ALUMINUM COMPRESSION CONNECTOR TOOL AND DIE CHART (# OF CRIMPS)

WIRE SIZE	STRIP LENGTH	DIE COLOR	ALUMINUM COMPRESSION CONNECTOR TOOL AND DIE CHART (# OF CRIMPS)			
			NSI	GREENLEE	BURNDY	
			EXPANDED WIRE RANGE W/ N12ID	N1240 SERIES	1240 SERIES	Y-35, Y750, PAT 750
1/0AWG	1-1/4"	TAN	1/0AWG-#6AWG	KA12-1/0 (2)	KA12-1/0 (2)	U25ART (2)