

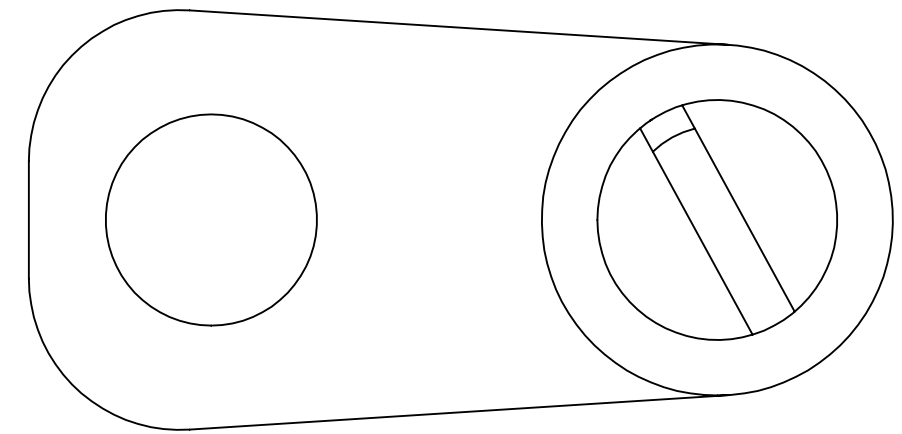
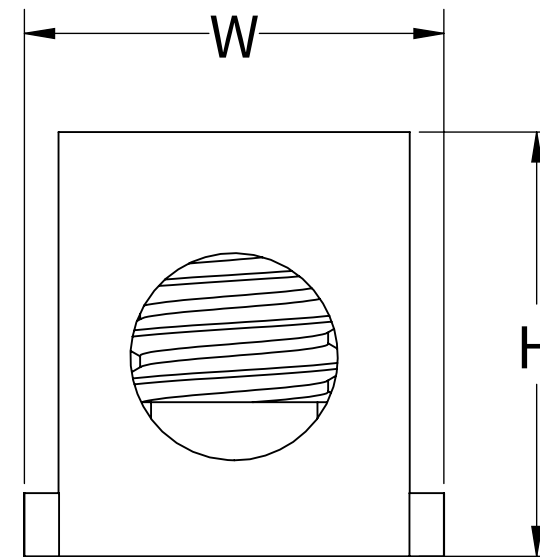
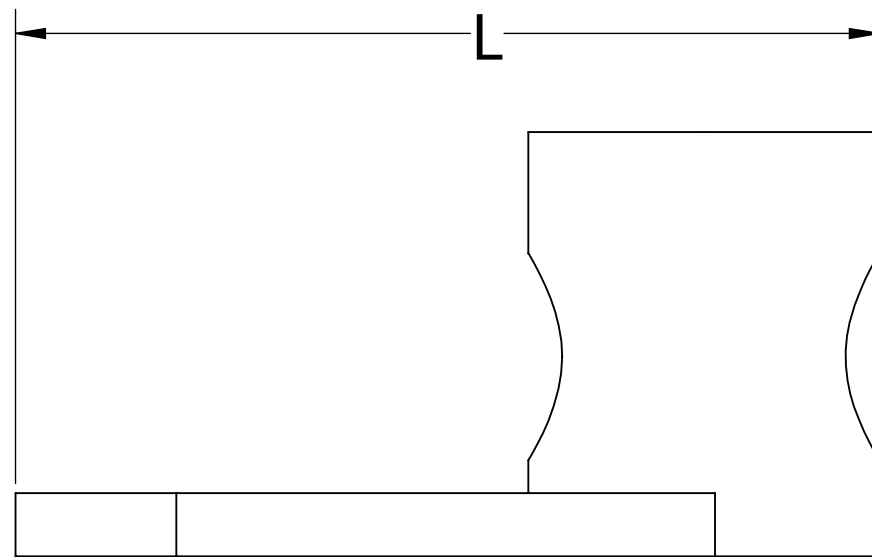
FEATURES:

1. Made from high strength cast bronze
2. Range taking
3. Re-usable
4. For use with Copper wire only
5. Voltage: 600 V
6. Pack Qty: 2
7. Conductor Type: Copper



PROGRAM:	SOLIDWORKS
UPDATED:	09/2024
SALES REV:	A
SIZE:	B (11x17)

TL : Copper Terminal Lug



CAT. NO.	WIRE RANGE	LENGTH (L)	WIDTH (W)	HEIGHT (H)
TL4R	4 STR – 14 SOL	1.12	.565	.560
TL8R	8 STR – 14 SOL	.8	.385	.425

