

SUBMITTAL RECORD
 JOB _____
 LOCATION _____
 SUBMITTED TO _____
 SUBMITTAL PREPARED BY _____
 APPROVED BY _____
 DATE _____



Submittal Form Y Toggle - Kits



DESCRIPTION

A toggle hanger is used for hanging fluorescent light troffers and other lighting applications. Different lengths are available, with WC2 cable. Toggles are offered in three styles; Y shape, V shape and single strand. We also offer toggles in a kit.

For ordering information, see reverse side.

SUGGESTED SPECIFICATION:

All ductwork and equipment shall be supported using wire rope cable terminated by Cable Locks. All Cable Locks shall have an Ultimate Breaking Strength (U.B.S.) of at least 5 times the published Working Load Limit (W.L.L.). Wire ropes shall be of the size and spaced per manufacturers printed specifications. Wire Rope and Cable Locks shall be as supplied by Duro Dyne Corporation.

SPECIFICATION DATA

- 1) All wire rope supplied by Duro Dyne is statistically tested to minimum breaking strength.
- 2) Dyna-Tite Suspension System has been submitted and tested to be an acceptable alternative to the duct hanger systems prescribed in SMACNA HVAC-DCS 2nd edition By SMACNA Testing & Research Institute.
- 3) All Working Load Ratings of Dyna-Tite Cable Locks manufactured by Duro Dyne have been witnessed and verified by Independent Testing Labs.
- 4) Dyna-Tite Cable Locks may be used in temperatures up to 300 degrees F.
- 5) Dyna-Tite Cable Locks wedges are constructed of corrosion resistant sintered steel.
- 6) Dyna-Tite Cable Lock springs are constructed of tempered stainless steel.

WIRE ROPE SPECIFICATION CARBON STEEL & GALVANIZED

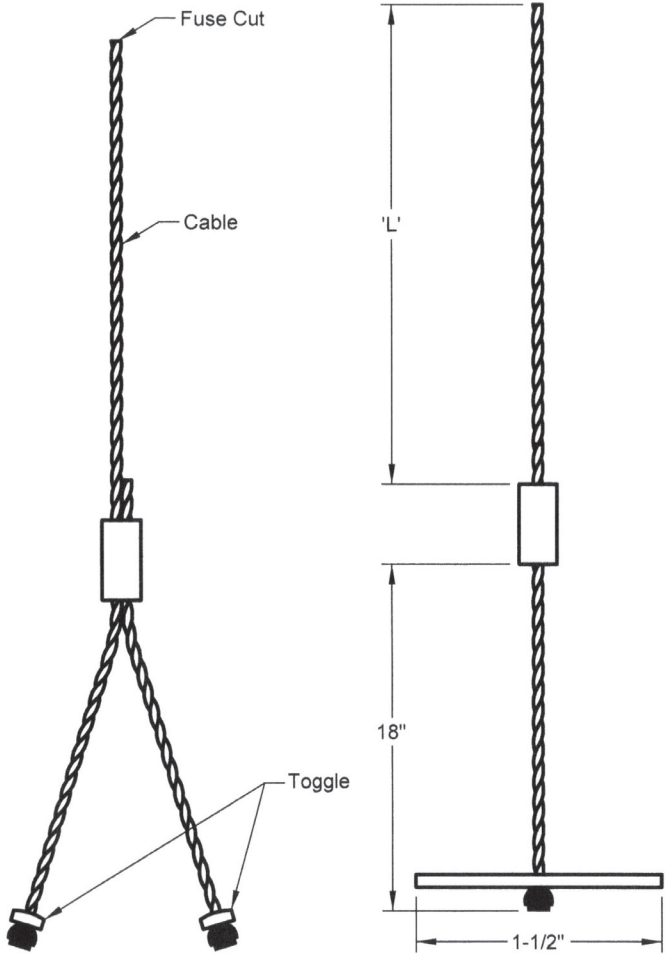
Galvanized steel wire rope, supplied by Duro Dyne is manufactured to exacting standards and statistically tested to verify the breaking strength. Only use wire rope supplied by Duro Dyne. The chart below outlines the specifications.

Wire Rope Size	Tolerance	Rope Construction
WC2	+0.010/-0.005 in	7x7

APPLICABLE SMACNA STANDARD 4.2.11 Hanging System Selection

The selection of a hanging system should not be taken lightly not only because it involves a significant portion of the erection labor, but also because an inadequate hanging system can be disastrous. In any multiple hanging system, the failure of one hanger transfers that load to adjacent hangers. If one of these fail, an even greater load is transferred to the next. The result is a cascading failure in which an entire run of duct might fail.

There are many hanger alternatives, especially in the upper attachments. Besides structural adequacy, the contractor's choice of hanging system must also take into account the particulars of the building structure, the skills of the worker, the availability of tooling, and the recommendations of the fastener manufacturer. Because of these variables, it is suggested that the hanging system be the contractor's choice, subject to the approval of the mechanical engineer.



See reverse side for testing and warnings

For technical assistance:

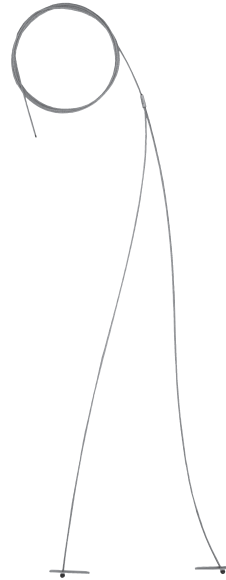
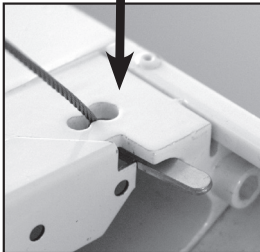
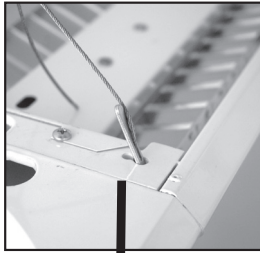
nsiindustries.com/dyna-tite • hvactechteam@nsiindustries.com • 800.899.3876



SUBMITTAL RECORD
 JOB _____
 LOCATION _____
 SUBMITTED TO _____
 SUBMITTAL PREPARED BY _____
 APPROVED BY _____
 DATE _____



Submittal Form Y Toggle - Kits



Toggle Kits					
Item #	Code	Description	For Use w/ Cable Lock	Safe Working Load*	Quantity
R030274	RWC2Y12T10K	(2) WC2 x 10ft 12" Y Toggle & (2) CL6-WC2 Kit	CL6-WC2	10-75 lbs.(5-34 kg)	10 bags/ctn
R030194	RWC2Y18T5K	(2) WC2 Cable 5ft.-18" Y Toggle & (2) CL6-WC2 Kit	CL6-WC2	10-75 lbs.(5-34 kg)	10 bags/ctn
R030202	RWC2Y18T10K	(2) WC2 Cable 10ft.-18" Y Toggle & (2) CL6-WC2 Kit	CL6-WC2	10-75 lbs.(5-34 kg)	10 bags/ctn
R030205	RWC2Y18T15K	(2) WC2 Cable 15ft.-18" Y Toggle & (2) CL6-WC2 Kit	CL6-WC2	10-75 lbs.(5-34 kg)	5 bags/ctn
R030200	RWC2Y18T20K	(2) WC2 Cable 20ft.-18" Y Toggle & (2) CL6-WC2 Kit	CL6-WC2	10-75 lbs.(5-34 kg)	5 bags/ctn

*Safe Working Loads are based on a 5:1 Safety Factor.

WARNINGS

ALWAYS CONFIRM ENGAGEMENT OF CABLE LOCK ON WIRE BEFORE APPLYING THE LOAD: By pushing the adjustment pin in the opposite direction of the arrows on the cable lock and then pulling the cable also in the opposite direction of the arrows on the cable lock.

PULL ADJUSTMENT PIN BACK AND PASS WIRE ROPE THROUGH DYNA-TITE CABLE LOCK: Failure to pull adjustment pin first may cause damage to serrated teeth and reduce holding capacity.

TO ENSURE HANGING SYSTEM INTEGRITY AND SAFETY: Use only Duro Dyne wire rope.

WORKING LOAD LIMIT (WLL) MUST FALL WITHIN THE STATED WORKING LOAD RANGE OF THE CABLE LOCK: Each product is load rated and incorporates a minimum safety factor of 5:1. This WLL takes into account the specification criteria of the Dyna-Tite Cable Lock and the wire rope.

DO NOT USE ON COATED WIRE ROPE: It is important to maintain the metal to metal contact between the locking pawls in the Dyna-Tite and the wire rope.

SPRAY PAINTING: of the Dyna-Tite Cable Hanging System after installation is acceptable, at the installing contractor's discretion, if the installing contractor physically confirms engagement of each cable lock on the cable prior to and after painting, and in strict accordance with the Dyna-Tite Installation Instructions. Brush painting is not acceptable. Do not paint Cable or Cable Lock prior to installation. Do not reposition Cable Lock after painting.

DO NOT APPLY LUBRICANT: to any part of the assembly as this will alter the surface nature of the wire rope and attract dirt and debris.

DO NOT USE FOR LIFTING: (Under Hook slings) This product is designed for static load applications only.

KEEP THE PRODUCT CLEAN AND FREE FROM DIRT: Any dirt should be removed from the product prior to assembly.

INSPECT PERIODICALLY: Upon inspection, discard and replace if worn, distorted, or damaged.

REMOVE DAMAGED WIRE ENDS: Using a designated pair of wire rope cutters prior to inserting into the Dyna-Tite Cable Lock.

WHEN INSTALLING DURO DYNE DYNA-TITE CABLE ATTACHMENTS: to buildings or equipment careful consideration must be made to the attachment method and the material being attached to. It is the responsibility of the installer for the proper selection, installation and appropriateness of the attachment to the job specifications and any codes. Duro Dyne can give general guidance, but any questions regarding this should ultimately be directed to the project engineer of the job.

FOR DRY LOCATIONS ONLY

DO NOT USE IN CHLORINATED ATMOSPHERES SUCH AS POOLS AND NATATORIUM

GYMNASIUM INSTALLS MUST BE USING LOCKING CABLE LOCKS ONLY

Please see our Dyna-Tite testing and warnings webpage for the most detailed list of warnings:
<http://www.durodyne.com/DTTesting.php>

For technical assistance:

nsiindustries.com/dyna-tite • hvactechteam@nsiindustries.com • 800.899.3876

