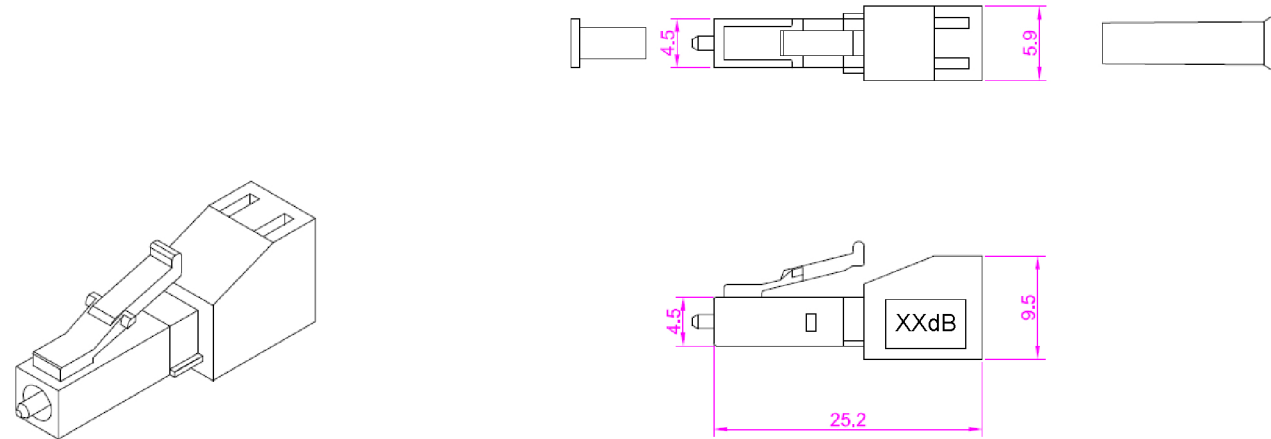


Edition	Indicate	Modifications	Sign	Time




### Specification:

1. Attenuation: SM, Capcolor, Blue or green;
2. Attenuation Tolerance:

Attenuation	Attenuation Tolerance
1 to 9dB	±0.5
10 to 15dB	±1.0
16 to 25dB	±1.5

3. Return loss: RL=-50dB (UPC) RL=-60dB (APC) ;
4. Operating Temperature: -40~+75degree Celsius

Unit: mm					
Size Tolerance:					
X ±0.1		<b>Name:</b> LC Fixed Attenuator	ATT-LA-xx		
X.X ±0.05			ATT-LU-xx		
X.XX ±0.02			ATT-L-xx		
X.XXX ±0.005			Phase Marker	Quality	Proportion
Design		<b>B</b>			
Review					
Technology					
Standard		Material:		Page: 1	
Approve					