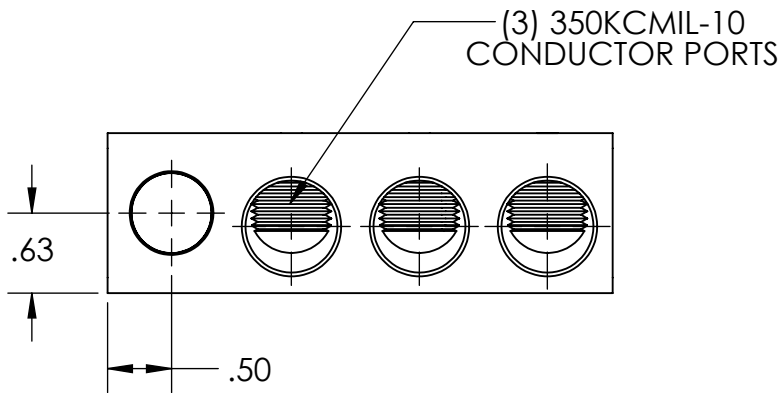
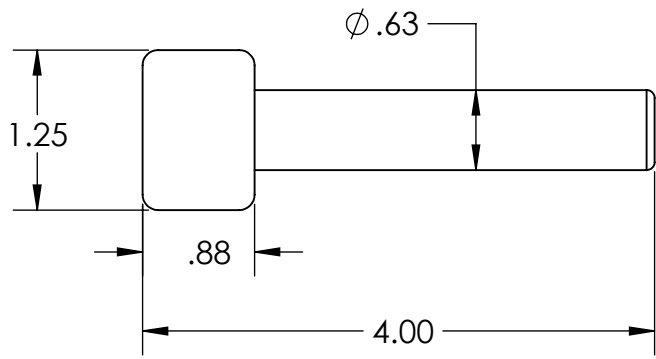
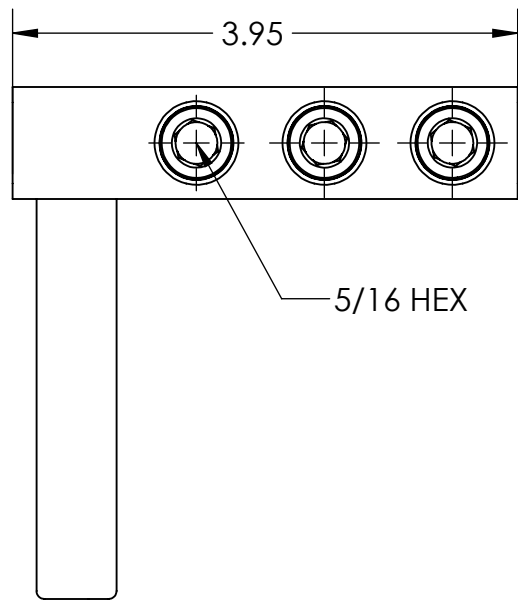
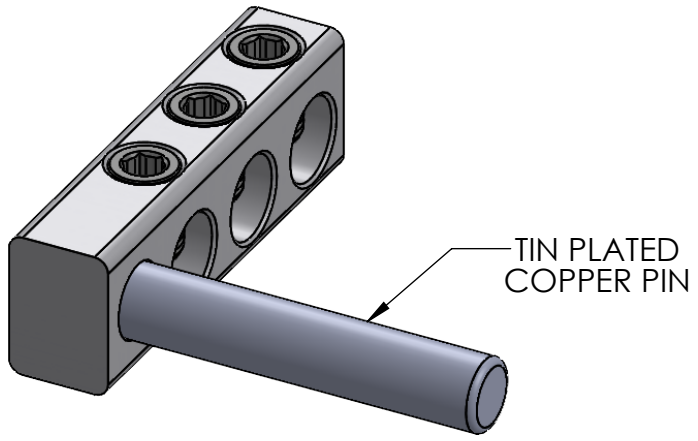


<b>PROGRAM:</b>	SOLIDWORKS
<b>UPDATED:</b>	11/22/2024
<b>SALES REV:</b>	A
<b>SIZE:</b>	A (8.5x11) (IN)



**FEATURES:**

- 1. Material: Aluminum.
- 2. Class B/C compressed, concentric, and compact conductor only.
- 3. Dual rated AL-CU.