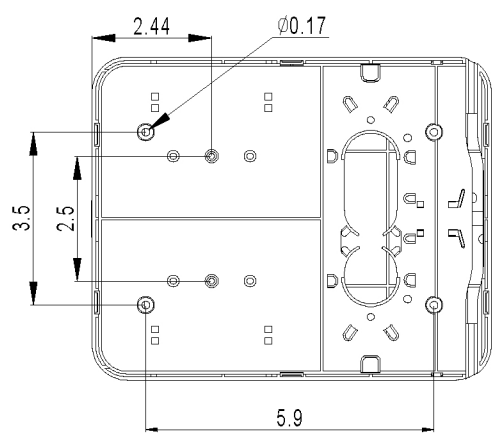
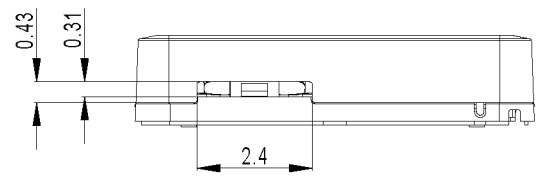
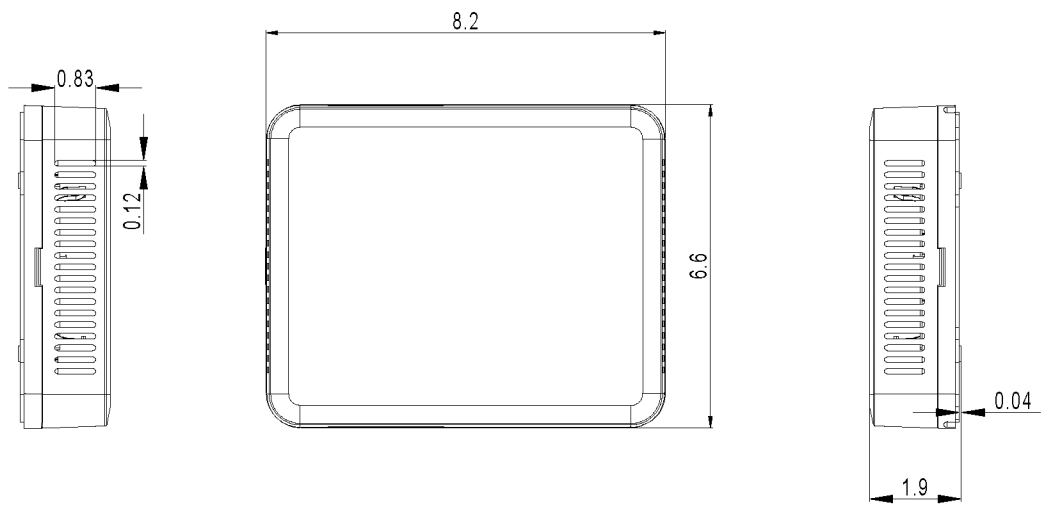
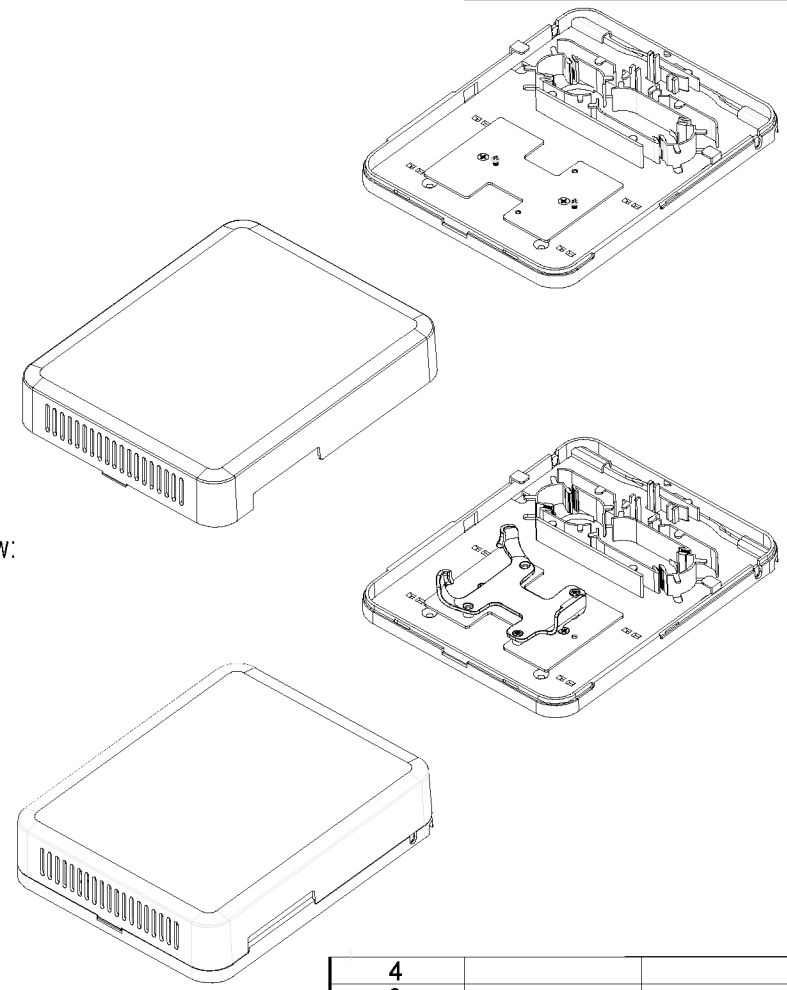


A B C D E F G H

Unmarked tolerance	Low precision	Medium precision	High precision
0~3	±0.15	±0.1	±0.05
3~16	±0.2	±0.15	±0.07
16~25	±0.3	±0.2	±0.1
25~75	±0.4	±0.25	±0.15
75~500	±0.75	±0.5	±0.4
500~	±1.0	±0.8	±0.5
C0.5~C1.0			
R0.5~R1.0			



Remark:
 One box including accessories as below:
 1pc metal mounting plate;
 1pc customized bracket for small ONT;
 4pcs wall anchors & screws;
 2pcs screws painted in white;



4		
3		
2		
1		
serial number	Date of diagnosis	On the number of Real orders

Type of machine model	Design	Proportion		Name	SlimFIT ONT™				FPP-01-W-A9
	Review	Page number	one	Material	Material number	Nozzle unit weight			
	Approval	Unit	mm	Drawing time	09/09/2021	Picture number			