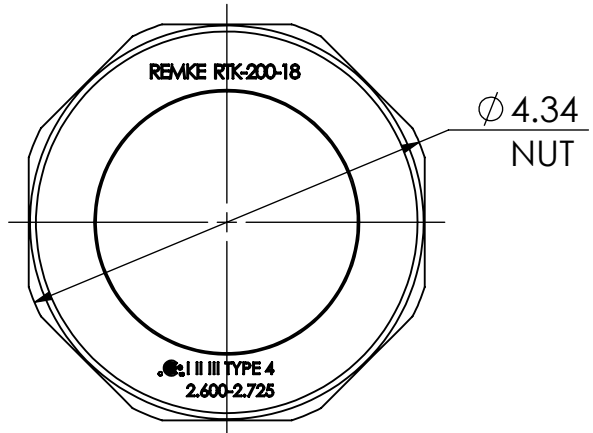
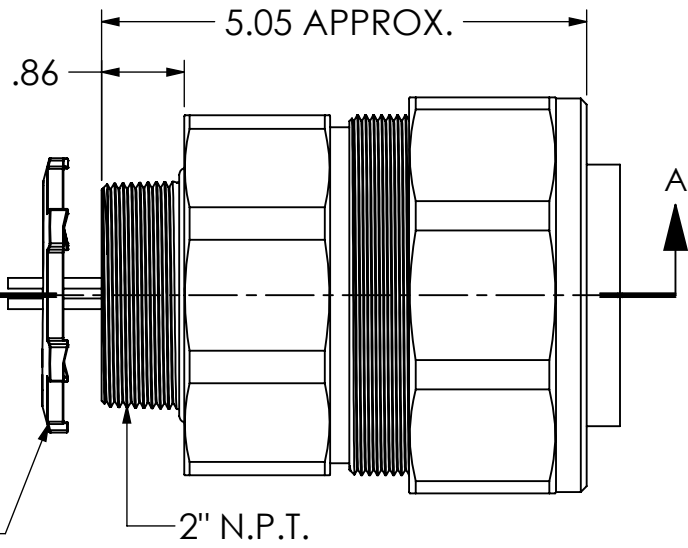
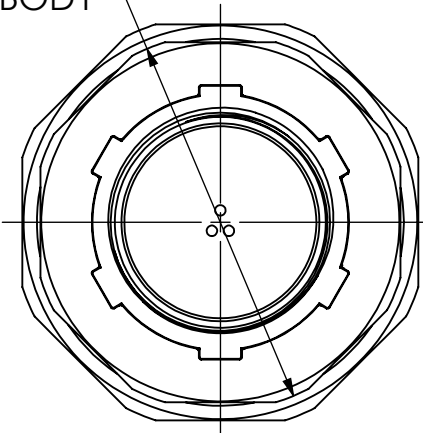
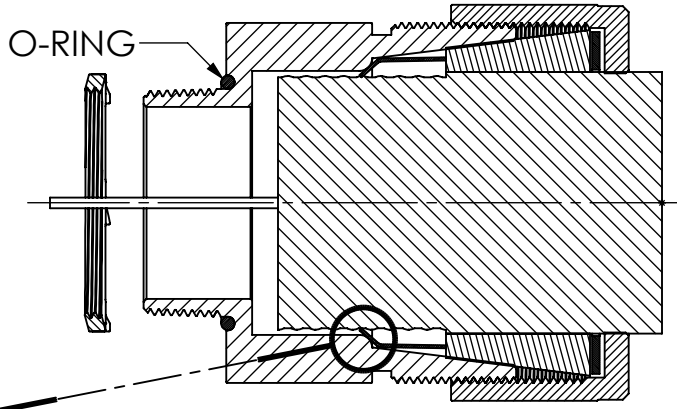


Ø 3.92
BODY



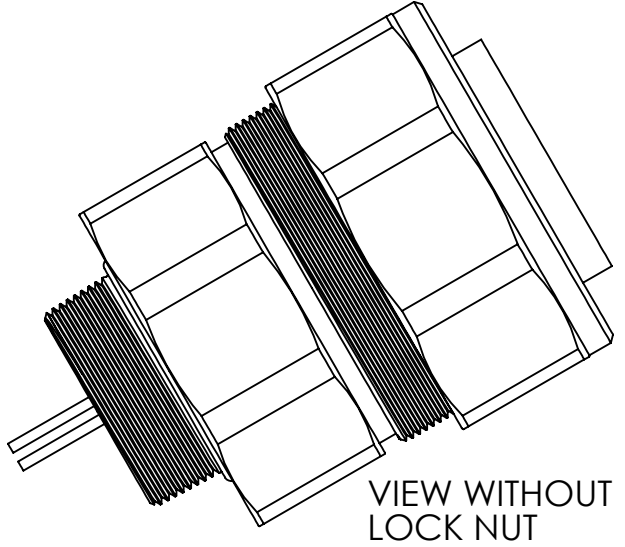
LOCK NUT
OPTIONAL
ADD: L

2" N.P.T.



DETAIL B
SCALE 1 : 1

SECTION A-A



VIEW WITHOUT
LOCK NUT



REV.	DATE	CHANGE	UNLESS OTHERWISE SPECIFIED:	NAME	DATE	REMKE REMKE INDUSTRIES 310 CHADDICK DR, WHEELING, IL. 60090 TITLE:	
A	12/2/13	DRAWING RELEASED	DIMENSIONS ARE IN INCHES TOLERANCES: FRACTIONAL ± 1/64 ANGULAR: MACH ± 1° BEND ± 1° ONE PLACE DECIMAL ± .015 TWO PLACE DECIMAL ± .010 THREE PLACE DECIMAL ± .005 INTERPRET GEOMETRIC TOLERANCING PER: MATERIAL ALUMINUM FINISH DO NOT SCALE DRAWING	DRAWN JCN 12/13 CHECKED ENG APPR. MFG APPR. Q.A.	PROPRIETARY AND CONFIDENTIAL THE INFORMATION CONTAINED IN THIS DRAWING IS THE SOLE PROPERTY OF REMKE INDUSTRIES. ANY REPRODUCTION IN PART OR AS A WHOLE WITHOUT THE WRITTEN PERMISSION OF REMKE INDUSTRIES IS PROHIBITED.		SIZE A SCALE: 1:2