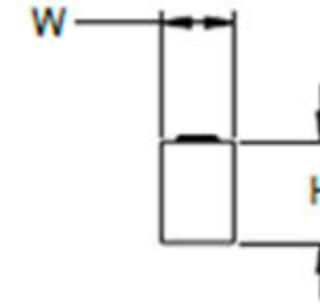
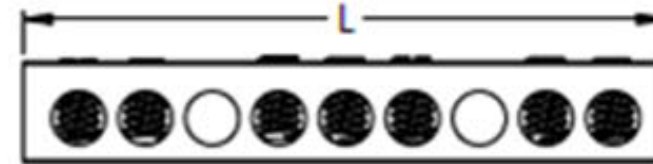


**FEATURES:**

1. Multiple connectors are made from either copper or aluminum bar and can be used in a variety of neutral and grounding applications. Aluminum connectors are tin plated for low contact resistance and are suitable for use with copper or aluminum conductors. Aluminum connectors are dual rated for use with aluminum and copper cables.
2. Copper connectors are suitable for use with copper wire only.
3. Supplied with screws unassembled.

**POLARIS®**

PROGRAM:	SOLIDWORKS
UPDATED:	03/2024
SALES REV:	A
SIZE:	B (11x17)

**MULTIPLE CONNECTORS: 4-14 MECHANICAL TERMINALS**

CAT. NO.	MATERIAL	WIRE RANGE	NO. OF CIRCUITS	TOTAL NO. OF HOLES	LENGTH (IN.)	HEIGHT (IN.)	WIDTH (IN.)	HOLE SPACING (IN.)	MTNG. HOLE POSITION	STD. CTN. QTY.
4-14-32	Aluminum	4-14	2	3	0.950	0.440	0.310	0.312	2	100
4-14-53	Aluminum	4-14	4	5	1.570	0.440	0.310	0.312	3	100
4-14-63	Aluminum	4-14	5	6	1.880	0.440	0.310	0.312	3	100
4-14-74	Aluminum	4-14	6	7	2.250	0.440	0.310	0.312	4	100
4-14-614	Aluminum	4-14	4	6	1.880	0.440	0.310	0.312	1 & 4	100
4-14-717	Aluminum	4-14	5	7	2.250	0.440	0.310	0.312	1 & 7	100
4-14-726	Aluminum	4-14	5	7	2.250	0.440	0.310	0.312	2 & 6	100
4-14-847	Aluminum	4-14	6	8	2.560	0.440	0.310	0.312	4 & 7	100
4-14-937	Aluminum	4-14	7	9	2.870	0.440	0.310	0.312	3 & 7	100
4-14-11111	Aluminum	4-14	9	11	3.500	0.440	0.310	0.312	1 & 11	50
4-14-12112	Aluminum	4-14	10	12	3.810	0.440	0.310	0.312	1 & 12	50
4-14-14114	Aluminum	4-14	12	14	4.430	0.440	0.310	0.312	1 & 14	50
4-14-17117	Aluminum	4-14	15	17	5.370	0.440	0.310	0.312	1 & 17	50
4-14-22122	Aluminum	4-14	20	22	6.930	0.440	0.310	0.312	1 & 22	50
4-14-190*	Aluminum	4-14	190	190	60.000	0.440	0.310	0.312	-	10

**NOTES:**

1. Agency approval(Material): Recognized Component/CSA approved

