

## Isolated Ground Bars - GBA2-7

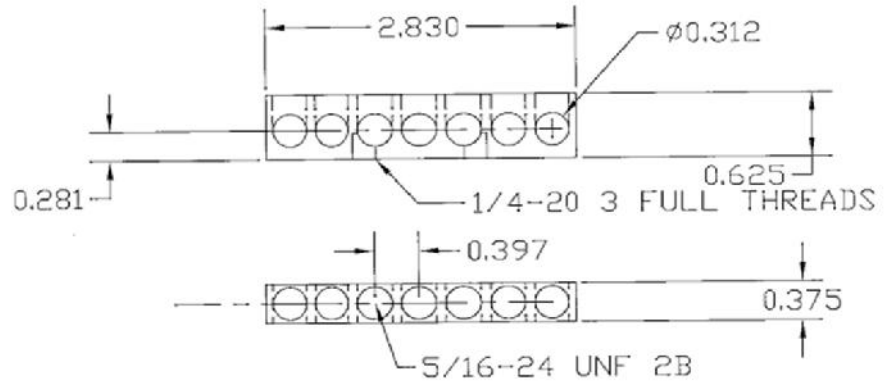
Made from high-strength aluminum alloy. The base is made from high-strength glass-filled polyester.

**Drawn - SD**

**Approved - KM**

**Material - Aluminum Bar / Steel Screws**

**Title - Isolated Ground Bar**



Part Number	Wire Range	No. Of Circuits	Material	Length	Height	Width
GBA2-7	AL/CU 2-14 AWG	7	Aluminum	2.8300	0.6250	0.3750