

**FEATURES:**

1. Made from high conductivity copper alloy.
2. Range taking.
3. Re-usable.
4. For use with Copper wire only
- 5.\* Some figures are made from high strength cast bronze

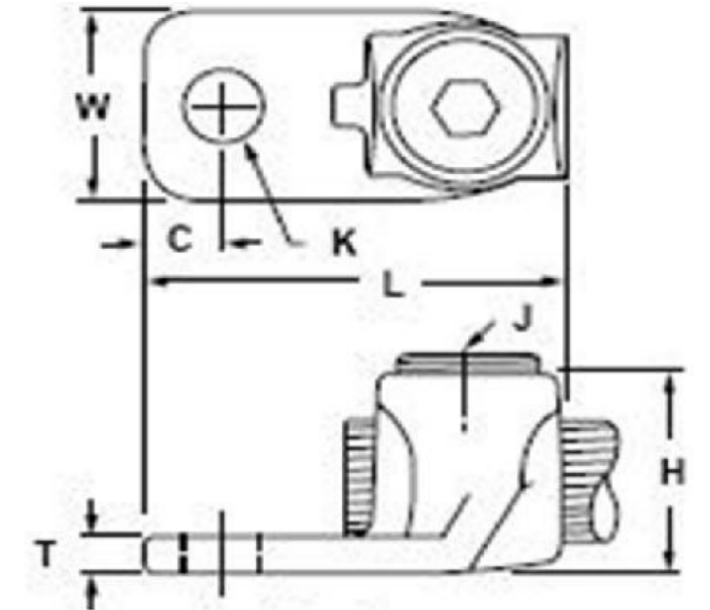
**SPECIFICATIONS:**

1. UL Listed E155274.
2. UL486A Listed for Wire Connector. 9CU.
3. Voltage: 600V max.

# TL Series: Copper & Bronze Terminal Lugs Two-Wire Type



PROGRAM:	SOLIDWORKS
UPDATED:	09/2024
SALES REV:	A
SIZE:	B (11x17)



PART NUMBER	FIG. NO.	MTG. BOLT SIZE	WIRE RANGE	MTG. HOLE DIA. (K)	MAX TORQUE VALUE (IN./LBS.)	HEX WRENCH SIZE (J)	LENGTH (L)	WIDTH (W)	HEIGHT (H)	TAG LENGTH (C)	TANG THICKNESS (T)
TL8	1	3/16	8 STR-14 SOL	0.200	60	Slotted	0.815	0.390	0.400	0.150	0.080
TL4	1	1/4	4 STR - 14 SOL	0.278	90	Slotted	1.125	0.537	0.553	0.248	0.096
TL1/0	1A	5/16	1/0 STR - 4 SOL	0.315	150	1/4	1.584	0.723	0.792	0.370	0.090
TL1/0C	1	5/16	1/0 STR - 4 SOL	0.330	150	1/4	1.575	0.740	0.793	0.385	.100
TL1/0-L2*	2	5/16	1/0 STR - 4 SOL	0.360	150	1/4	2.670	0.775	0.895	0.388	0.183
TL250	1A	3/8	250 MCM - 6 STR	0.380	250	1/4	1.950	0.927	1.049	0.416	0.119
TL250-L2*	2	3/8	250 MCM - 1/0 STR	0.403	250	1/4	2.996	1.103	1.025	0.424	0.246
TL250-2L2*	3	1/2	300 MCM - 4/0 STR	0.560	250	1/4	4.473	1.994	1.102	0.713	0.283
TL250-3L2*	5	1/2	300 MCM - 4/0 STR	0.560	250	5/8	4.472	3.058	1.838	0.600	0.362
TL250-4L2*	7	1/2	300 MCM - 4/0 STR	0.560	250	5/8	4.440	4.089	1.783	0.650	0.394
TL500	1B	1/2	500 MCM - 4/0 STR	0.525	300	3/8	2.986	1.375	1.456	0.750	0.303
TL500-L2*	2	1/2	500 - 300 MCM	0.562	300	3/4	4.500	1.375	2.154	0.625	0.344
TL500-2L2*	3	1/2	500 - 300 MCM	0.562	300	3/4	4.500	2.500	2.055	0.625	0.375
TL500-2L4*	4	1/2	500 - 300 MCM	0.562	300	3/4	4.500	3.000	2.055	0.625	0.375
TL500-3L2*	5	1/2	500 - 300 MCM	0.562	300	3/4	4.500	2.500	2.150	0.625	0.375
TL500-3L4*	6	1/2	500 - 300 MCM	0.562	300	3/4	4.500	3.625	2.150	0.625	0.375
TL500-4L2*	7	1/2	500 - 300 MCM	0.562	300	3/4	4.500	4.187	2.150	0.625	0.375
TL500-4L4*	8	1/2	500 - 300 MCM	0.562	300	3/4	4.500	4.187	2.150	0.625	0.375
TL1000	1B	1/2	1000 - 500 MCM	0.557	400	3/8	3.992	1.985	1.945	0.742	0.356
TL1000-L2*	2	1/2	1000 - 750 MCM	0.562	400	7/8	4.875	1.875	2.887	0.625	0.500
TL1000-2L4*	4	1/2	1000 - 750 MCM	0.570	400	7/8	5.045	3.630	2.900	0.620	0.517
TL1000-3L4*	6	1/2	1000 - 750 MCM	0.570	400	7/8	6.045	3.630	2.900	0.620	0.517

