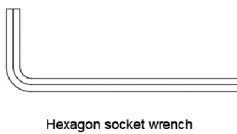
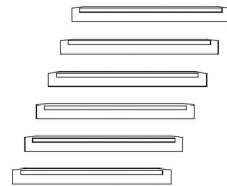
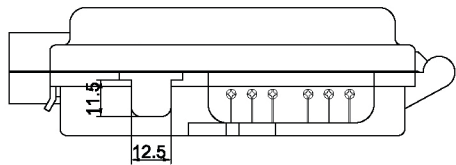
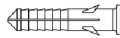
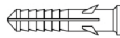
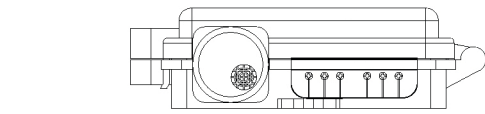
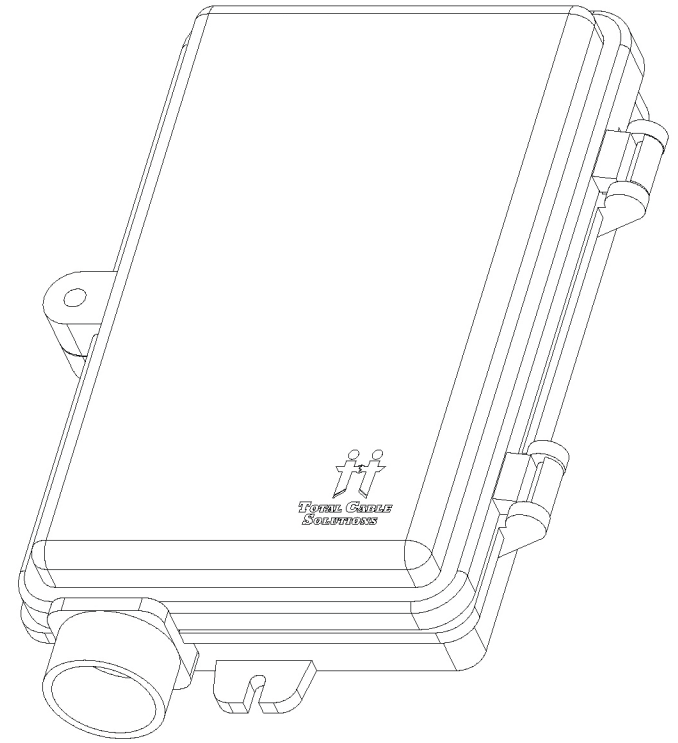
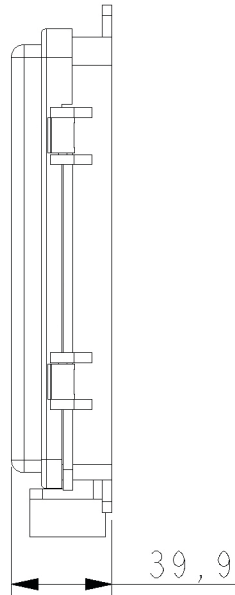
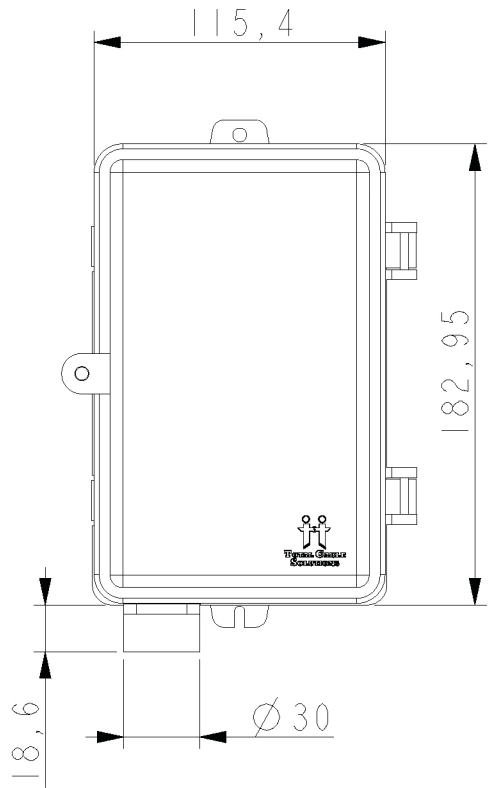


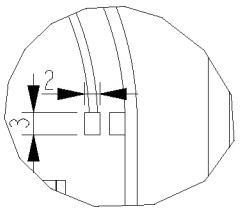
REV.	ECN	DESCRIPTION	SIGN	DATE
A0				



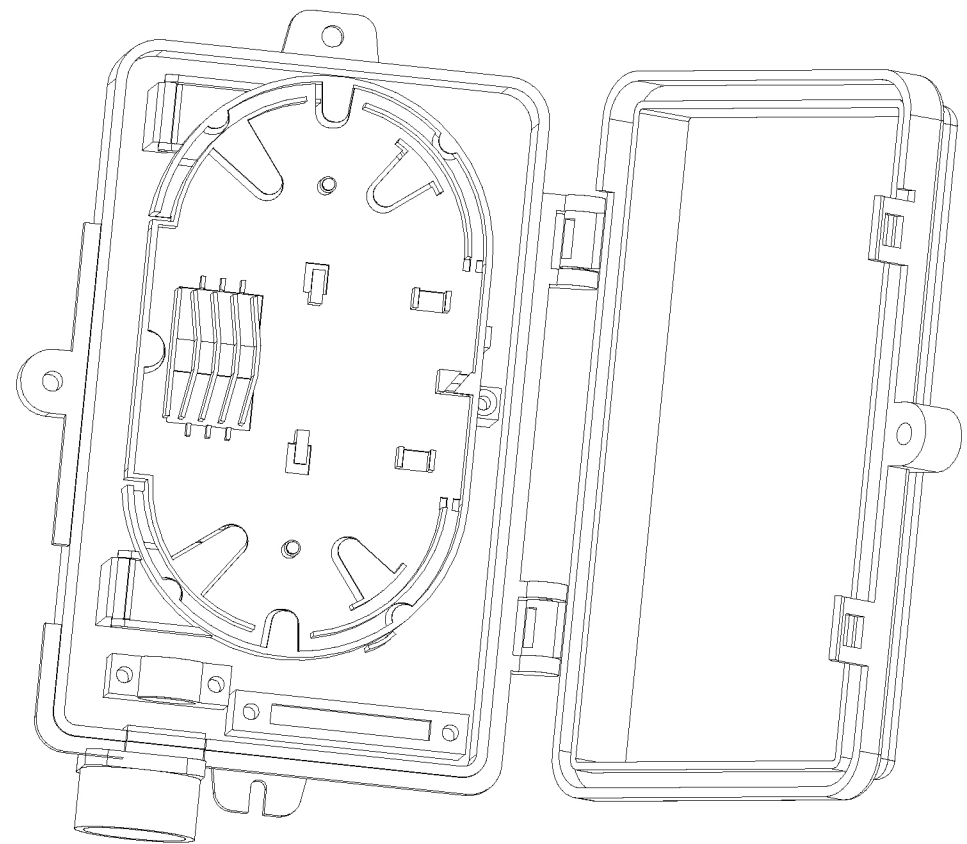
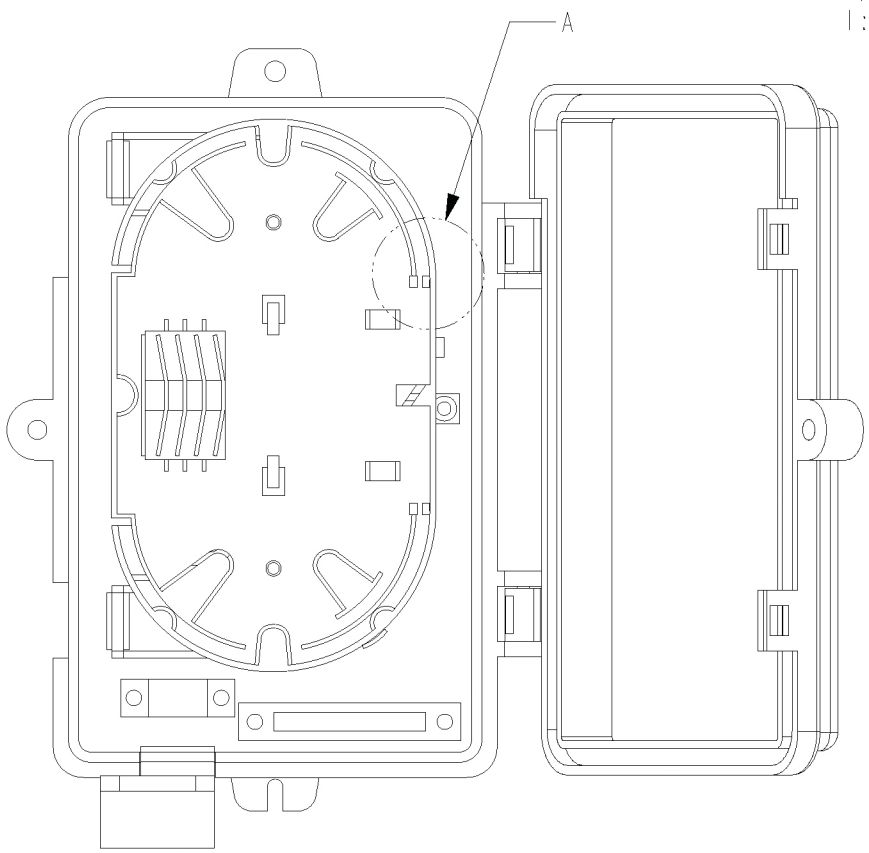
Material:ABS+PC

DRAW	KEN	A/R		PRODUCTS NO.	FPP-6S-W-15-V2
UNIT	mm	CHK	TAO LUO	PRODUCTS NAME	
REV.	A0	APR	XH Wang	PART NO.	
DATE		MAT'L			
FIG NO.:					

REV.	ECN	DESCRIPTION	SIGN	DATE
A0				



A
1:1



DRAW	KEN	A/R		PRODUCTS NO.	FPP-6S-W-15-V2
UNIT	mm	CHK	TAO LUO	PRODUCTS NAME	
REV.	A0	APR	XH Wang	PART NO.	
DATE		MAT'L			
FIG NO.:					