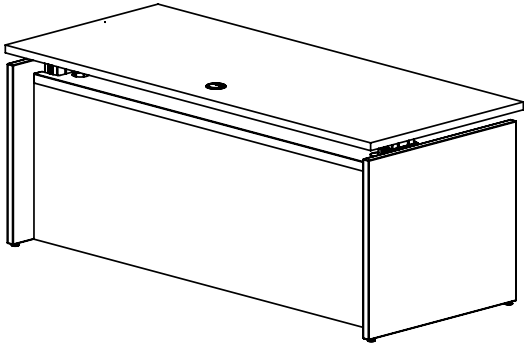


There are three styles of the Presidente Executive that we will walk through: Rectangle, L Shape (standard), and Fully Enclosed L Shape. Below is an overview of each style type.

Presidente Executive > Rectangle

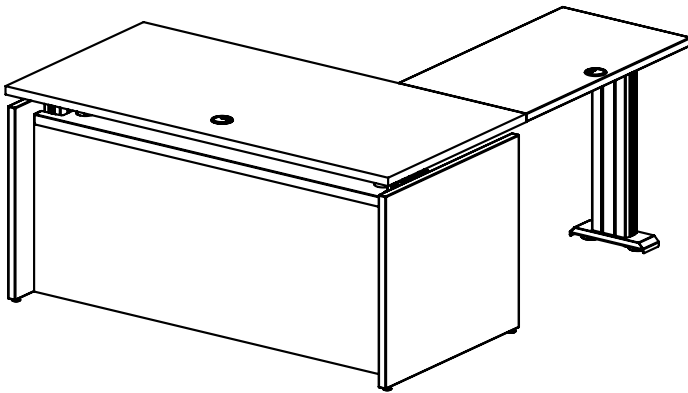
Part #s begin with "NPEBS". Presidente Executive rectangle desks do NOT include a modesty panel. A modesty panel is an optional upgrade and must be specified separately.



Presidente Executive > L-Shape

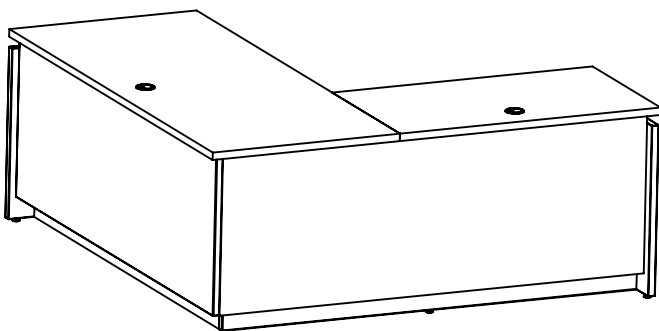
Part #s begin with "NPEBLLS" or "NPEBLRS". Standard L-shape Presidente Executive desks do NOT include any modesty panels. A modesty panel for the main desk side of the workstation is an optional upgrade and must be specified separately.

A separate modesty panel for the return side is not available for this specific configuration. If you want a modesty panel on the return side of the workstation, please refer to the Presidente Executive Fully Enclosed L-Shape.



Presidente Executive > Fully Enclosed L-Shape

Part #s begin with "NPEBELS" or "NPEBERS". Fully Enclosed L-shape Presidente Executive desks include full modesty panels on both the desk side and the return side of the workstation.



Presidente Executive > Rectangle

HOW TO SPECIFY & ORDER

Specify Presidente Executive Rectangle part #, and include the Version, Metal Finish, Primary Finish, and Secondary Finish

Select Part # N P E B S 3 0 6 0 3 0 -	Select Version V1 All laminate panels are the same color V2 All laminate panels are the same EXCEPT the back panel See details below V 1 -	Select Metal Finish B Black S Silver S -	Select Primary Laminate Finish See page 8 L T -	Select Secondary Laminate Finish See page 8 <i>If selecting Version V1, put down the same finish code as your primary laminate finish.</i> L T
---	---	--	--	--

If you'd like a modesty panel, you will need to add that part # separately to your order.

VERSIONS EXPLAINED

Versions help to identify which laminate color scheme you want. For the Presidente Executive Rectangle, you can choose between two versions: V1 and V2. Below shows the difference between each. *Please note that the kick panel on the inside of the unit (where the user's feet are located) is ALWAYS black.* Any other color combinations outside of the versions below are considered custom - please contact customer service for more information.

Version V1

Select V1 if you want all of the laminate panels to be the same color. For this option, you will put the same finish code for both the primary and secondary laminate finish when specifying.



Full part # for this example: NPEBS306030-V1-S-LT-LT

Looks Likatre (LT) is both the primary and secondary laminate finish.

Version V2

Select V2 if you want all of the laminate panels to be the same color EXCEPT the back panel. For this option, your primary laminate finish is the one that is used on the majority of the laminate panels (ex: worksurface & side panels). The secondary laminate finish is the one used on the back panel.








Full part # for this example: NPEBS306030-V2-S-LT-BK

Looks Likatre (LT) is the primary laminate finish.
Black (BK) is the secondary laminate finish.

Presidente Executive > Rectangle

EXAMPLES:

If you want this color combination:	Order this:
 <p>Showing Version V1</p>	<p>NPEBS306030-V1-S-LT-LT</p> <p>If you were to order NPEBS306030SLT (the standard way to order prior to this spec guide), then this is also what you would get.</p> <p>LT = Looks Likatre</p>
 <p>Showing Version V2</p>	<p>NPEBS306030-V2-S-LT-BK</p> <p>LT = Looks Likatre, BK - Black</p>
 <p>Showing Version V1 with an added modesty panel in different color</p>	<p>NPEBS306030-V1-B-WN-WN NPEMOD60BK</p> <p>*include two part #s, one for the desk & one for the modesty panel. Add the color code for the laminate finish you want on the modesty panel.</p> <p>WN = Walnut, BK - Black</p>
 <p>Showing Version V2 with an added modesty panel that matches the primary laminate finish</p>	<p>NPEBS306030-V2-B-WN-BK NPEMOD60WN</p> <p>*include two part #s, one for the desk & one for the modesty panel. Add the color code for the laminate finish you want on the modesty panel.</p> <p>WN = Walnut, BK - Black</p>
 <p>Showing Version V1 with an added modesty panel in the same color as the primary laminate finish</p>	<p>NPEBS306030-V1-B-WN-WN NPEMOD60WN</p> <p>*include two part #s, one for the desk & one for the modesty panel. Add the color code for the laminate finish you want on the modesty panel.</p> <p>WN = Walnut</p>

Presidente Executive > L Shape

HOW TO SPECIFY & ORDER

Specify Presidente Executive L Shape part #, and include the Version, Metal Finish, Primary Finish, and Secondary Finish

<p>Select Part #</p> <p>N P E B L L S 2 4 7 2 7 2 3 0 -</p>	<p>Select Version</p> <p>V1 All laminate panels are the same color</p> <p>V2 All laminate panels are the same EXCEPT the back panel</p> <p>See details below</p> <p>V 2 -</p>	<p>Select Metal Finish</p> <p>B Black</p> <p>S Silver</p> <p>S -</p>	<p>Select Primary Laminate Finish</p> <p>See page 8</p> <p>L T -</p>	<p>Select Secondary Laminate Finish</p> <p>See page 8</p> <p><i>If selecting Version V1, put down the same finish code as your primary laminate finish.</i></p> <p>L T</p>
---	---	--	--	--

If you'd like a modesty panel (avail. for main worksurface only), you will need to add that part # separately to your order.

VERSIONS EXPLAINED

Versions help to identify which laminate color scheme you want. For the Presidente Executive L Shape, you can choose between two versions: V1 and V2. Below shows the difference between each. *Please note that the kick panel on the inside of the unit (where the user's feet are located) is ALWAYS black.* Any other color combinations outside of the versions below are considered custom - please contact customer service for more information.

Version V1

Select V1 if you want all of the laminate panels to be the same color. For this option, you will put the same finish code for both the primary and secondary laminate finish when specifying. This is the standard color selection.



Full part # for this example: NPEBLLS24727230-V1-S-LT-LT

Looks Likatre (LT) is both the primary and secondary laminate finish.

Version V2

Select V2 if you want all of the laminate panels to be the same color EXCEPT the back panel. For this option, your primary laminate finish is the one that is used on the majority of the laminate panels (ex: worksurface & side panels). The secondary laminate finish is the one used on the back panel.








Full part # for this example: NPEBLLS24727230-V2-S-LT-BK

Looks Likatre (LT) is the primary laminate finish. Black (BK) is the secondary laminate finish.

Presidente Executive > L Shape

EXAMPLES:

If you want this color combination:	Order this:
 <p>Showing Version V1 All laminate panels are the same finish.</p>	<p>NPEBLLS24727230-V1-S-LT-LT</p> <p>If you were to order NPEBLLS24727230SLT (the standard way to order prior to this spec guide), then this is also what you would get.</p> <p>LT = Looks Likatre</p>
 <p>Showing Version V2 All laminate panels are the same finish EXCEPT the back panel.</p>	<p>NPEBLLS24727230-V2-S-LT-BK</p> <p>LT = Looks Likatre, BK - Black</p>
 <p>Showing Version V1 with an added modesty panel in different color</p>	<p>NPEBLLS24727230-V1-B-LT-LT NPEMOD72BK</p> <p>*include two part #s, one for the desk & one for the modesty panel. Add the color code for the laminate finish you want on the modesty panel.</p> <p>LT = Looks Likatre, BK - Black</p>
 <p>Showing Version V2 with an added modesty panel that matches the primary laminate finish</p>	<p>NPEBLLS24727230-V2-B-LT-BK NPEMOD72LT</p> <p>*include two part #s, one for the desk & one for the modesty panel. Add the color code for the laminate finish you want on the modesty panel.</p> <p>LT = Looks Likatre, BK - Black</p>
 <p>Showing Version V1 with an added modesty panel in the same color as the primary laminate finish</p>	<p>NPEBLLS24727230-V1-B-LT-LT NPEMOD72LT</p> <p>*include two part #s, one for the desk & one for the modesty panel. Add the color code for the laminate finish you want on the modesty panel.</p> <p>LT = Looks Likatre</p>

Presidente Executive > Fully Enclosed L Shape

HOW TO SPECIFY & ORDER

Specify Presidente Executive Fully Enclosed L Shape part #, and include the Version, Metal Finish, Primary Finish, and Secondary Finish

<p>Select Part #</p> <p>N P E B E L S 2 4 7 2 7 2 3 0 -</p>	<p>Select Version</p> <p>V1 All laminate panels are the same color</p> <p>V2 All laminate panels are the same EXCEPT the back panel</p> <p>V3 All laminate panels are the same EXCEPT the modesty panel</p> <p>See details below</p> <p>V 1 -</p>	<p>Select Metal Finish</p> <p>B Black</p> <p>S Silver</p> <p>B -</p>	<p>Select Primary Laminate Finish</p> <p>See page 8</p> <p>W N -</p>	<p>Select Secondary Laminate Finish</p> <p>See page 8</p> <p><i>If selecting Version V1, put down the same finish code as your primary laminate finish.</i></p> <p>W N</p>
---	--	--	--	--

VERSIONS EXPLAINED

Versions help to identify which laminate color scheme you want. For the Presidente Executive Fully Enclosed L Shape, you can choose between three versions: V1, V2, and V3. Below shows the difference between each. The Fully Enclosed version always includes the modesty panels. *Please note that the kick panel on the inside of the unit (where the user's feet are located) is ALWAYS black.* Any other color combinations outside of the versions below are considered custom - please contact customer service for more information.

Version V1

Select V1 if you want all of the laminate panels to be the same color. For this option, you will put the same finish code for both the primary and secondary laminate finish when specifying. This is the standard color selection.



Full part # for this example: NPEBELS24727230-V1-B-WN-WN

Walnut (WN) is both the primary and secondary laminate finish.

Version V2

Select V2 if you want all of the laminate panels to be the same color EXCEPT the back panel. For this option, your primary laminate finish is the one that is used on the majority of the laminate panels (ex: worksurface, modesty panels, & side panels). The secondary laminate finish is the one used on the back panel.



Full part # for this example: NPEBELS24727230-V2-B-WN-BK

Walnut (WN) is the primary laminate finish.
Black (BK) is the secondary laminate finish.

Presidente Executive > Fully Enclosed L Shape

VERSIONS EXPLAINED (continued)

Version V3

Select V3 if you want all of the laminate panels to be the same color EXCEPT the modesty panels. For this option, your primary laminate finish is the one that is used on the majority of the laminate panels (ex: worksurface, back panels, & side panels). The secondary laminate finish is the one used on the modesty panels.



Full part # for this example: NPEBELS24727230-V3-B-WN-BK

Walnut (WN) is the primary laminate finish.
Black (BK) is the secondary laminate finish.

EXAMPLES:

If you want this color combination:	Order this:
 <p>Showing Version V1</p> <p>All laminate panels are the same finish.</p>	<p>NPEBELS24727230-V1-B-WN-WN</p> <p>If you were to order NPEBELS24727230BWN (the standard way to order prior to this spec guide), then this is also what you would get.</p> <p>WN = Walnut</p>
 <p>Showing Version V2</p> <p>All laminate panels are the same finish EXCEPT the back panel.</p>	<p>NPEBELS24727230-V2-B-WN-BK</p> <p>WN = Walnut, BK - Black</p>
 <p>Showing Version V3</p> <p>All laminate panels are the same finish EXCEPT the modesty panel.</p>	<p>NPEBELS24727230-V3-B-WN-BK</p> <p>WN = Walnut, BK - Black</p>

Laminate Finish Color Codes

Finish	Code
Bergen Ash	BA
Black	BK
Driftwood.....	DW
Galaxy White	GW
Gray Matrix.....	GM
Hardrock Maple	HM
Koosah Pine.....	KP
Looks Likatre	LT
Mahogany	MY
Marker Board (\$ upcharge).....	MB
Pelee Island Pear	PP
Rogue Valley Pear	VP
Stromboli	ST
Walnut.....	WN
Concrete Groovz.....	CG

Metal Finish Color Codes

Finish	Code
Black	B
Silver	S

[View Finishes Brochure here](#)