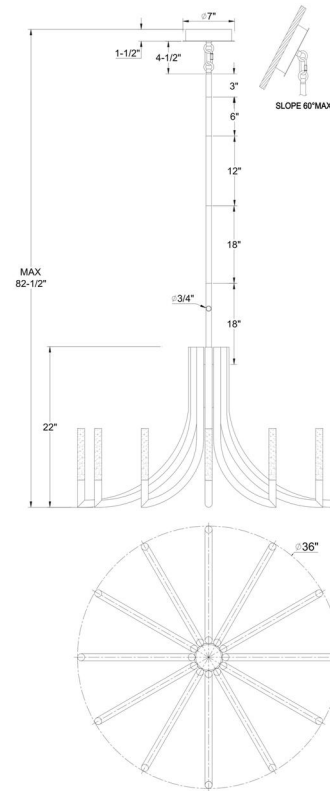
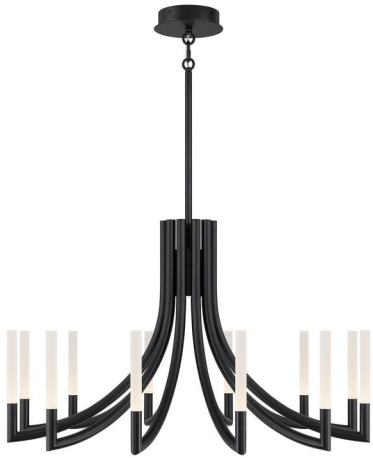


JOB NAME:

DATE:

TYPE:

COMMENTS:



LIGHT INFORMATION

Light Type	Integrated LED
CRI	90
Delivered Lumens	1933
Color Temperature	3500K
LED Lifespan (L70)	52000
Number of Lights	12
Light Direction	Ambient
Dimming Method	Triac/Elv
Current Type	DC
Input Voltage	120-277
Total Wattage	40

DIMENSIONS & WEIGHT

Height (In)	22
Min Height (In)	26.5
Max Height (In)	80.5
Diameter (In)	36
Weight (Lbs)	29.97

INSTALLATION

Mounting Type	J-Box
Rating	Dry
Hanging Support Type	Rod

PRODUCT FINISH

Matte Black

SHADE FINISH

Frosted Acrylic

PRODUCT FEATURES

Downlight (135 Delivered Lumens)

CERTIFICATIONS & COMPLIANCE

