

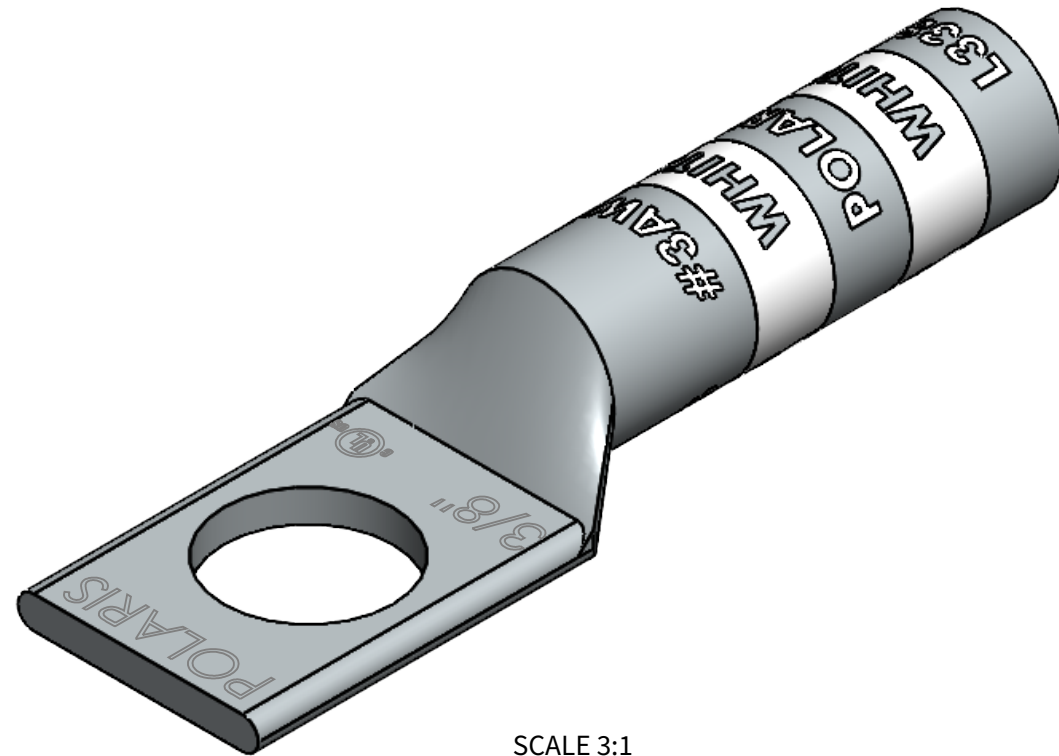
**FEATURES:**

1. Material: Tin Plated CU
2. UL listed for U.S. & Canada.
3. Wire connector rated for 35Kv max.
4. Class B/C compressed, concentric, and compact copper conductor only.
5. Expanded wire range when installed with dieless NSi compression tool (N12ID).
6. Dimensions are for reference only, tolerance is +/- .06".

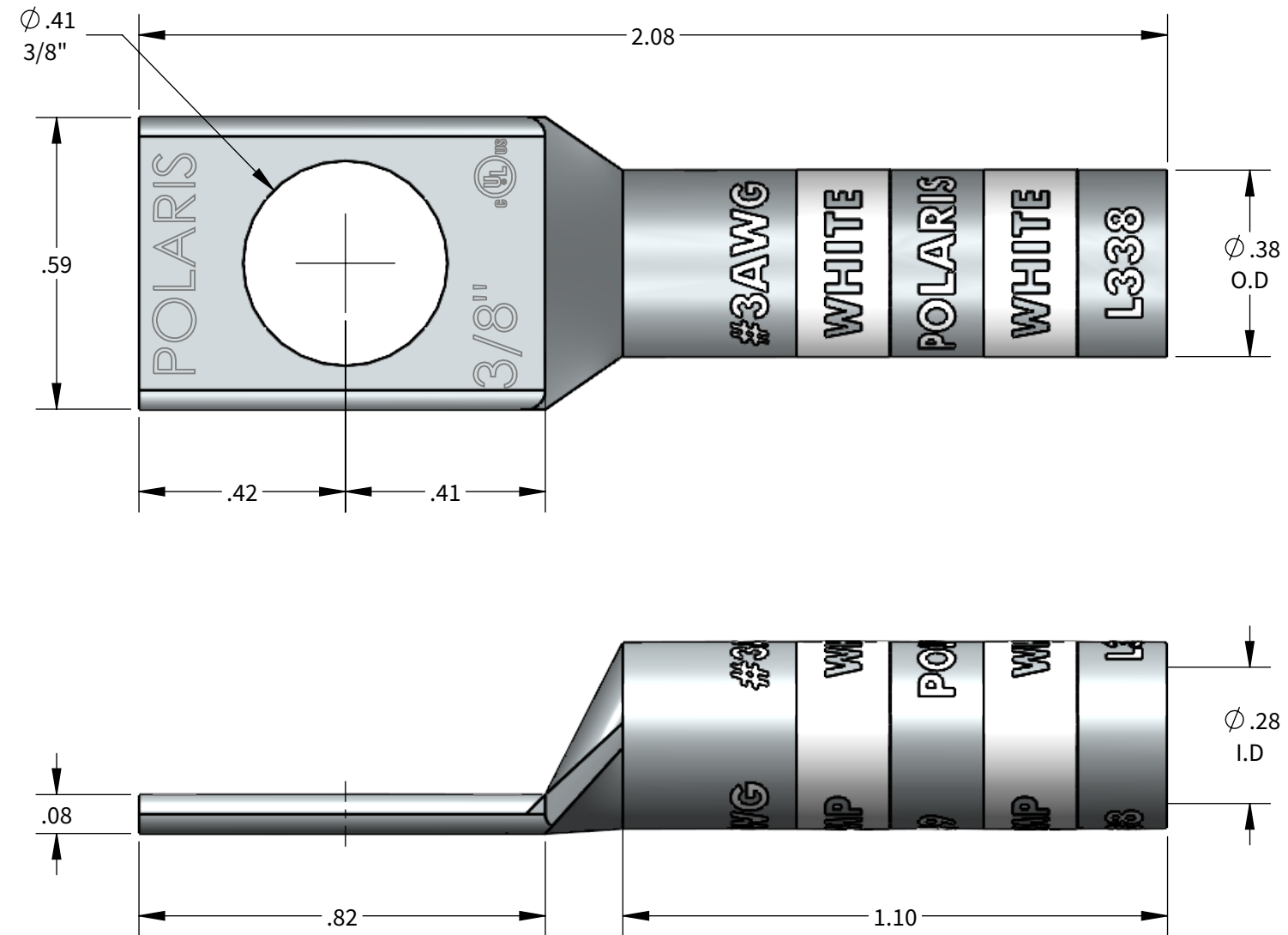
# L Series: L338



PROGRAM:	SOLIDWORKS
UPDATED:	4/2022
SALES REV:	A
SIZE:	B (11x17)



SCALE 3:1



COPPER COMPRESSION CONNECTOR TOOL AND DIE CHART (# OF CRIMPS)

WIRE SIZE	STRIP LENGTH	DIE COLOR	EXPANDED WIRE RANGE W/N12ID	NSI						GREENLEE		ILSCO	BURNDY	T&B	HUSKIE
				N1240 SERIES	NSI-12	NSI-12	1240 SERIES	1240 SERIES	ILC-12/ILC-15 SERIES	Y-35, Y750, PAT 750	TBM-15, TBM-14M	EP510C			
#3AWG	1-3/16"	WHITE	#3AWG-#6AWG	KC12-3 (2)	-	HT41AV (4)	KC12-3 (2)	ILD-3 (4)	KC12-3(2)	U3CRT (2)	-	HT41AV (4)	-		

