

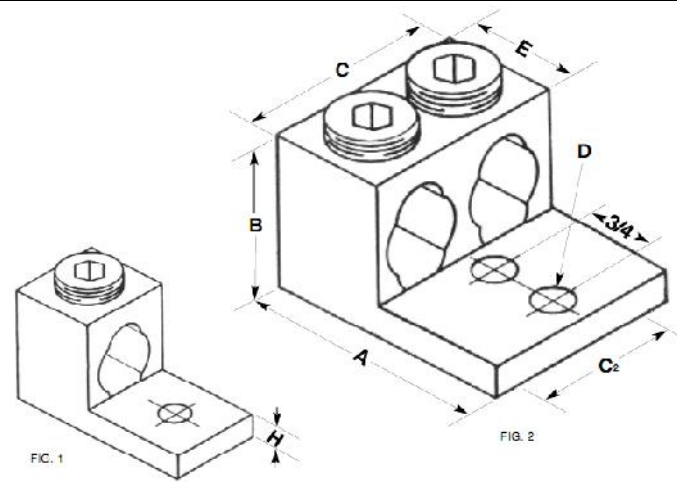
Dual Range Lugs - BS400T

Drawn - SD

Approved - KM

Material - Aluminum

Title - Dual Range Lug - BS400T



Part Number	Wire Range	Figure	A	B	C	D	E	H
BS400T	600MCM-2 (2)250MCM-1/0	1	2.81	1.81	1.38	0.625	1.31	0.312
BS400T2	600MCM-2 (2)250MCM-1/0	2	3.812	2	2.468	0.281	1.375	0.375