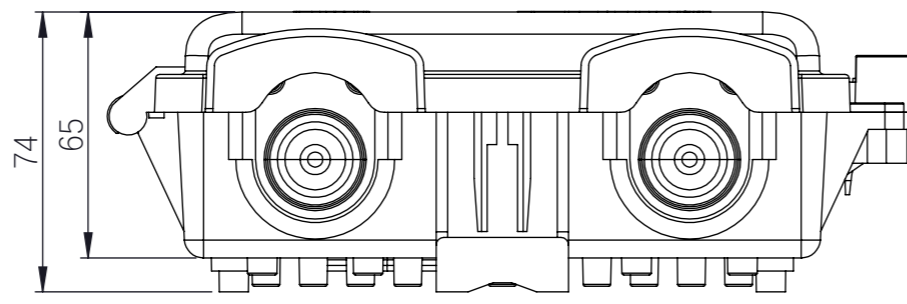
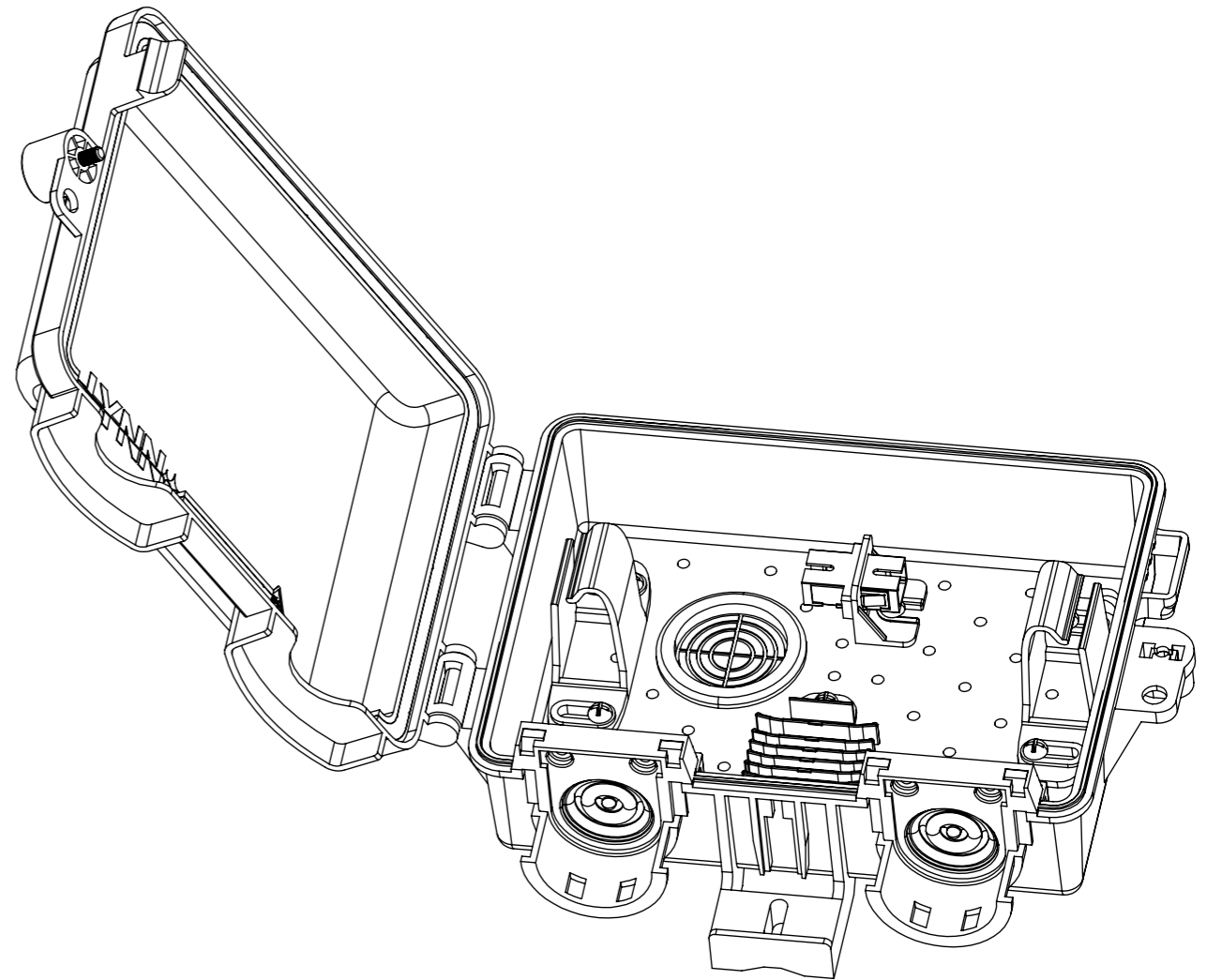
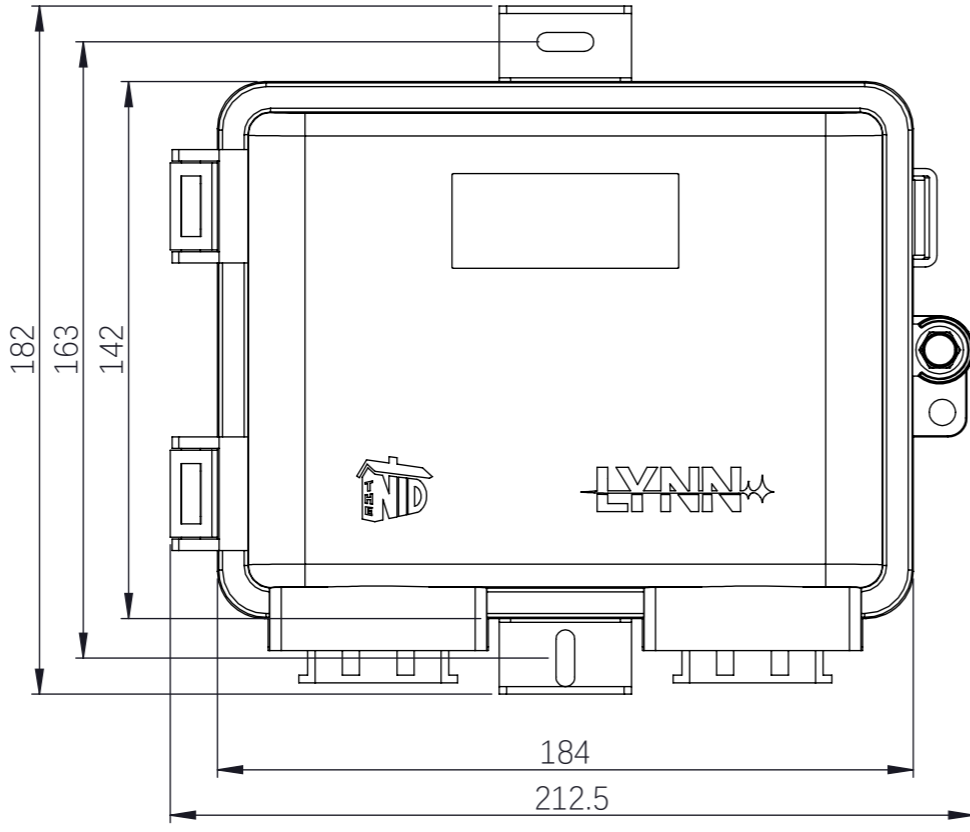
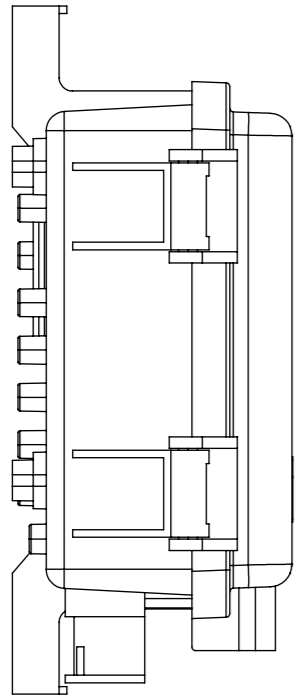


| | | | | |
|-----|---------|----------------|-----------|------|
| REV | ECN NO. | CHANGE CONTENT | SIGNATURE | DATE |
| A1 | | FIRST ISSUED | | |



NOTE:
1.MATERIAL:PC+ABS;

| | | | | | | |
|---------|------------|----------|--------------------|----|--------------|-----------------------|
| | SIGNATURE | DATE | LYNN | | | |
| DRAWN | T. Hodson | 2024/7/4 | MAT'L | | PRODUCT NO. | FPP-TN-K-D1 |
| CHK'D | J. Farrell | 2024/7/4 | UNITS | mm | PRODUCT NAME | FPP-TN-K-D1-00000 BOX |
| PROCESS | | 2024/7/4 | SCALE | | DRAWING NO. | FPP-TN-K-D1 |
| APPV'D | C. Hoskins | 2024/7/4 | TYPE OF PROJECTION | | | SHEET 1 OF 1 |
| | | | | | REV | A |