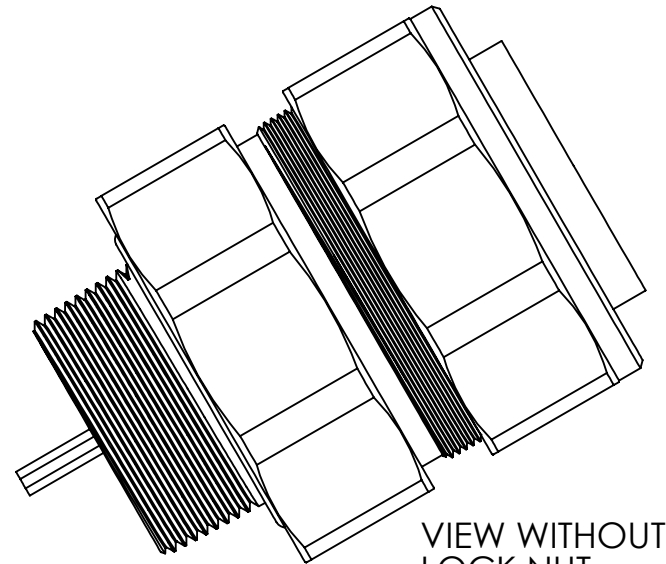
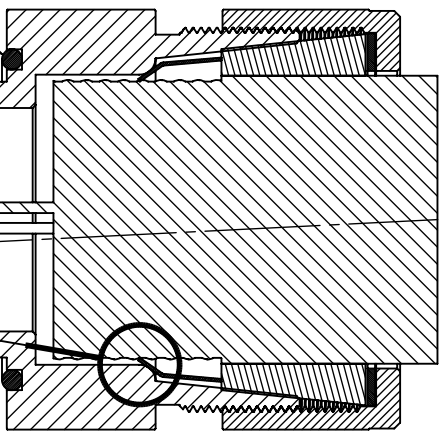
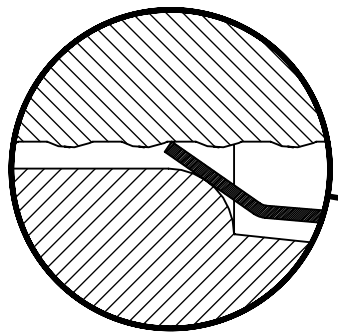


LOCK NUT
OPTIONAL
ADD: L

O-RING



REV.	DATE	CHANGE	UNLESS OTHERWISE SPECIFIED:	DRAWN	NAME	DATE	<p>REMKE REMKE INDUSTRIES 310 CHADDICK DR, WHEELING, IL. 60090</p> <p>TITLE:</p> <p>SIZE DWG. NO. A RTK-250-20</p> <p>SCALE: 1:2 SHEET 1 OF 1</p>
A	12/3/13	DRAWING RELEASED	DIMENSIONS ARE IN INCHES	CHECKED	JCN	12/13	
			TOLERANCES:	ENG APPR.			
			FRACTIONAL ± 1/64	MFG APPR.			
			ANGULAR: MACH ± 1° BEND ± 1°	Q.A.			
			ONE PLACE DECIMAL ±.015	<p>PROPRIETARY AND CONFIDENTIAL</p> <p>THE INFORMATION CONTAINED IN THIS DRAWING IS THE SOLE PROPERTY OF REMKE INDUSTRIES. ANY REPRODUCTION IN PART OR AS A WHOLE WITHOUT THE WRITTEN PERMISSION OF REMKE INDUSTRIES IS PROHIBITED.</p>			
			TWO PLACE DECIMAL ±.010				
			THREE PLACE DECIMAL ±.005				
			INTERPRET GEOMETRIC TOLERANCING PER:				
			MATERIAL				
			ALUMINUM				
			FINISH				
			DO NOT SCALE DRAWING				