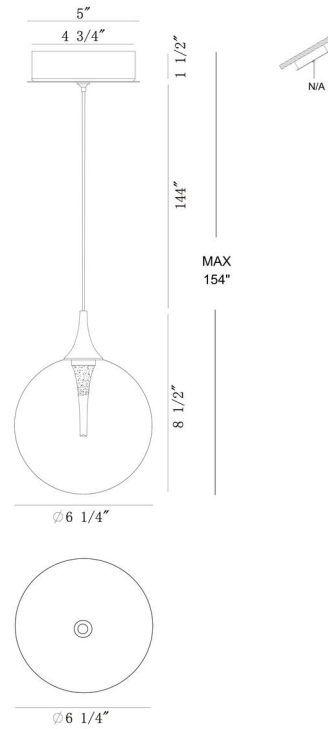
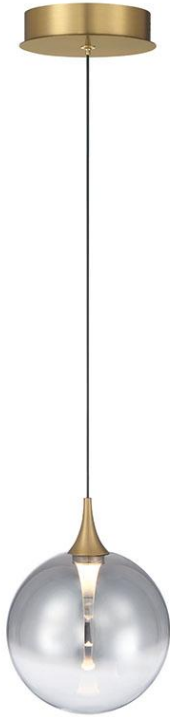


JOB NAME:

DATE:

TYPE:

COMMENTS:



**LIGHT INFORMATION**

Light Type	Integrated LED
CRI	90
Delivered Lumens	198
Color Temperature	3000K
LED Lifespan (L70)	52000
Number of Lights	1
Light Direction	Multi
Dimming Method	Triac
Current Type	DC
Input Voltage	120-277
Total Wattage	6

**DIMENSIONS & WEIGHT**

Height (In)	8.5
Diameter (In)	6.25
Weight (Lbs)	1.65

**INSTALLATION**

Mounting Type	J-Box
Rating	Dry
Hanging Support Type	Aircraft Cable

**PRODUCT FINISH**

Gold

**SHADE FINISH**

Smoked Glass

**CERTIFICATIONS & COMPLIANCE**

