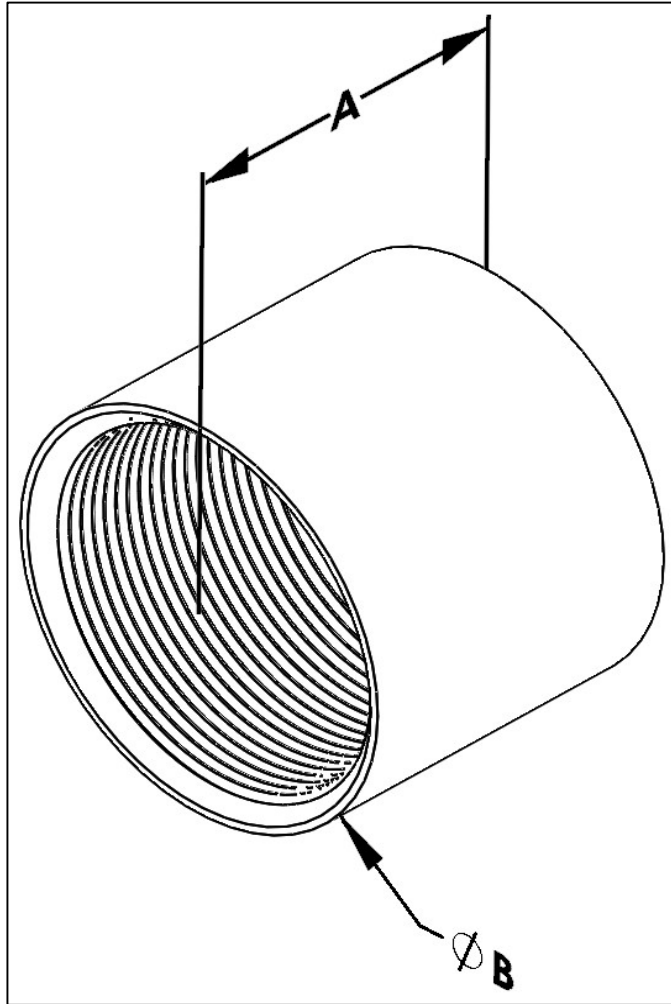


Bridgeport Couplings Drawing



Dim B

Dim A

Cat. No.	Trade Size	Threads per inch	OD	Minimum Length
1121-SC	½"	14	1.72	1.02
1122-SC	¾"	14	1.74	1.26
1123-SC	1"	11.5	2.02	1.51
1124-SC	1 ¼"	11.5	2.11	1.87
1125-SC	1 ½"	11.5	2.12	2.14
1126-SC	2"	11.5	2.17	2.64
1127-SC	2 ½"	8	2.30	3.23
1128-SC	3"	8	3.32	3.86
1129-SC	3 ½"	8	3.42	4.50
1130-SC	4"	8	3.52	4.85
1131-SC	5"	8	4.00	6.00
1132-SC	6"	8	4.25	7.25