

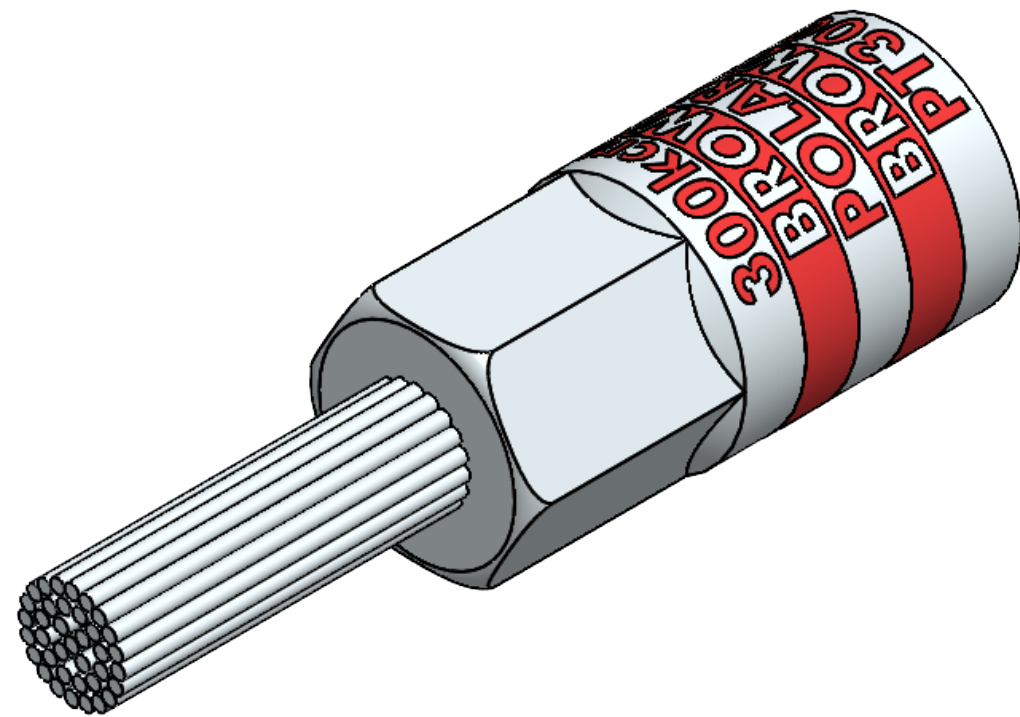
FEATURES:

1. Material: Tin Plated Aluminum
2. UL listed for U.S. & Canada.
3. Wire connector rated for 35Kv max.
4. Class B/C compressed, concentric, and compact conductor.
5. Dual rated AL9CU.
6. Supplied with EPDM insulated cover.
7. Connector is pre-filled with oxide inhibitor.
8. Dimensions are for reference only.

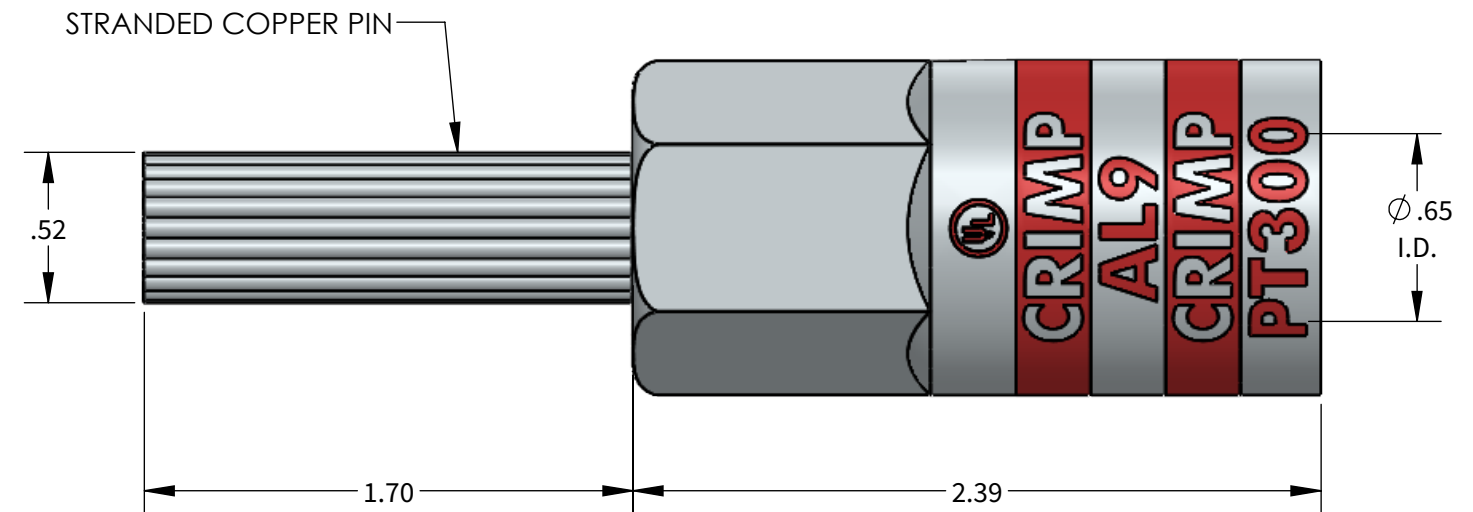
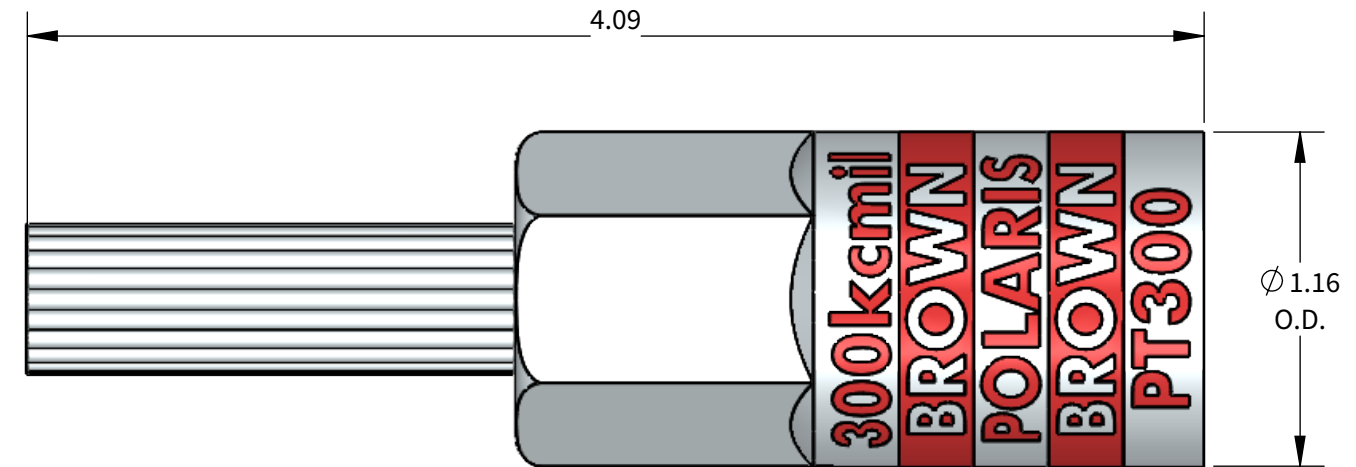
PT Series: PT300



PROGRAM:	SOLIDWORKS
UPDATED:	4/2022
SALES REV:	A
SIZE:	B (11x17)



SCALE 3:2



ALUMINUM COMPRESSION CONNECTOR TOOL AND DIE CHART
(# OF CRIMPS)

GREENLEE

N1240 SERIES

CD18A(2)

WIRE SIZE	STRIP LENGTH	DIE COLOR
300kcmil	1-3/8"	BROWN

