

1

2

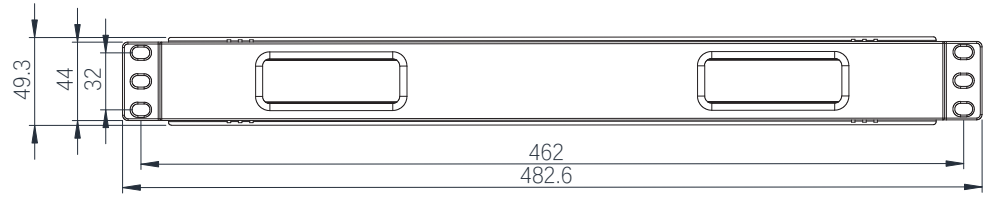
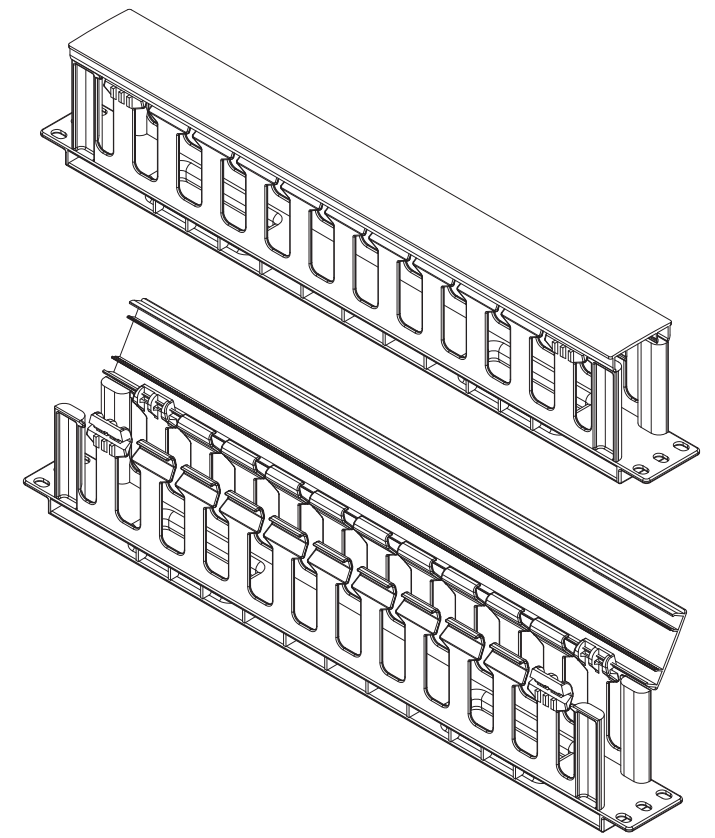
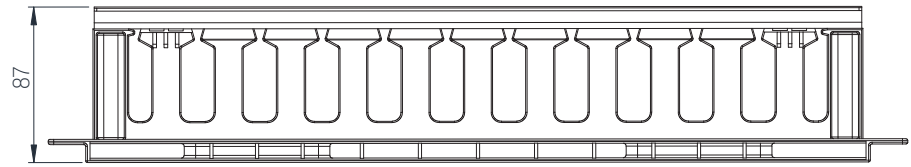
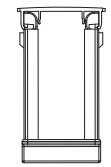
3

4

5

6

REV	ECN NO.	CHANGE CONTENT	SIGNATURE	DATE
A1				



NOTE:
1.MATERIAL:FULL PLASTIC(ABS)

	SIGNATURE	DATE	LYNN			
DRAWN	T. Hodson	2023-04-19	MAT'L	ABS	PRODUCT NO.	CBL-MGR-1U-2-V2
CHK'D	J. Farrell	2023-04-19	UNITS	mm	PRODUCT NAME	Horizontal cable manager, 2" finger duct w/snap on cover, no feed thru, black, 1U
PROCESS	N. Curry	2023-04-19	SCALE	1:3	DRAWING NO.	CBL-MGR-1U-2-V2
APPV'D	C. Hoskins	2023-04-19	TYPE OF PROJECTION			SHEET 1 OF 1
						REV A1

1

2

3

4

5

6