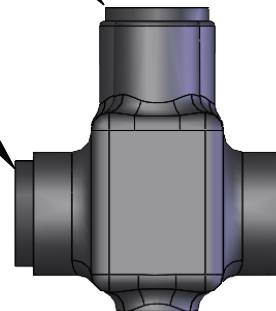


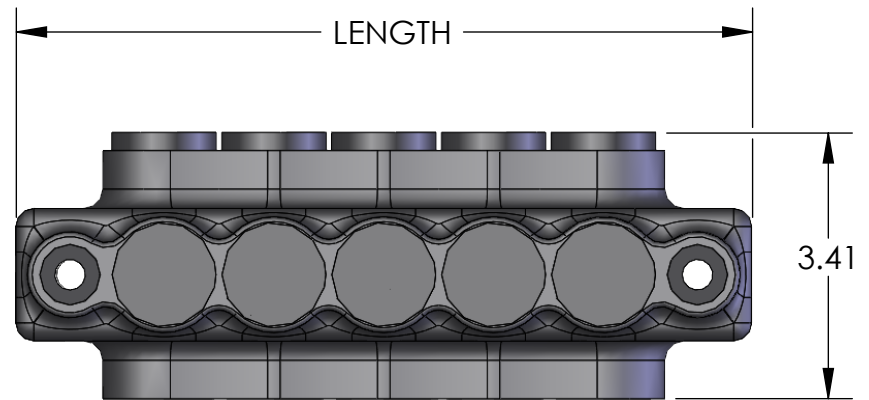
REMOVABLE CAP
TO TIGHTEN SCREW
(REPLACE WHEN COMPLETE)

REMOVABLE CAP
FOR DUAL ENTRY
(INSERT IN OTHER SIDE)

IPLMD750-5 SHOWN



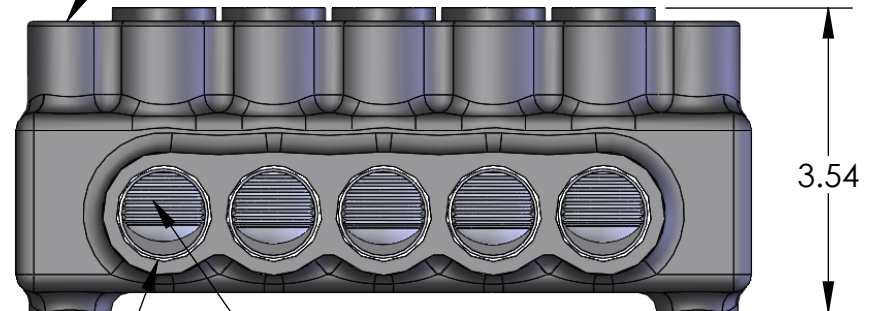
WIRE ENTRY POINT
WIRE RANGE: 750KCMIL - 1/0
PRE-FILLED W/ OXIDE INHIBITOR



LENGTH

3.41

INSULATED MOUNTING PORT ON EACH END
FOR A 5/16 BOLT



3.54

5/16 INTERNAL HEX PRESSURE SCREW

PART NUMBER	NO. OF PORTS	LENGTH
IPLMD750-3	3	6.32
IPLMD750-4	4	7.75
IPLMD750-5	5	9.18
IPLMD750-6	6	10.60
IPLMD750-7	7	12.02
IPLMD750-8	8	13.45
IPLMD750-10	10	16.30
IPLMD750-12	12	19.15
IPLMD750-14	14	22.00
IPLMD750-16	16	24.85

NOTES:

- CONNECTOR MANUFACTURED FROM 6061-T6 ALUMINUM ALLOY.
- UL LISTED PER UL486A/B SPECIFICATIONS FOR 600V.
- DUAL RATED FOR 75°C COPPER AND/OR ALUMINUM CONDUCTOR.
- COLD TEMPERATURE RATED TO -45°C.
- HIGH DIELECTRIC STRENGTH INSULATION IS ABRASION, CHEMICAL AND UV RESISTANT.

CONTACT NSI FOR SALES @ 800.321.5847



POLARIS
SALES . CO . INC

PROPRIETARY AND CONFIDENTIAL

11625 PROSPEROUS DRIVE ODESSA, FL 33556

THE INFORMATION CONTAINED IN THIS DRAWING IS THE SOLE PROPERTY OF POLARIS SALES CO. INC. ANY REPRODUCTION IN PART OR AS A WHOLE WITHOUT THE WRITTEN PERMISSION OF POLARIS SALES CO. INC. IS PROHIBITED.

TITLE:

INSULATED MOUNTED
DUAL ENTRY
750 CONNECTOR

NAME DATE
DRAWN BY S.PARRY 06/2012

DWG. NO.

IPLMD750-

MATERIAL: N/A

SCALE: N/A

SHEET: 1 OF 1