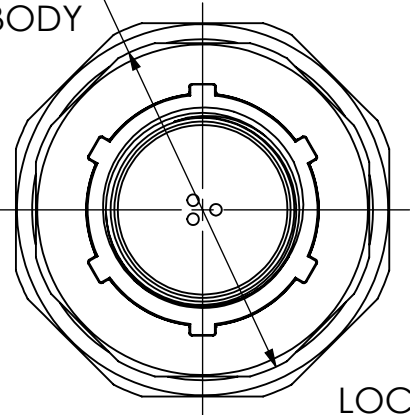


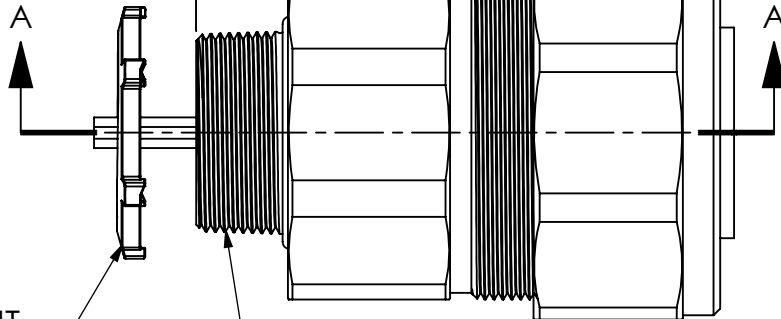
Ø 3.250
BODY



4.91 APPROX.

.86

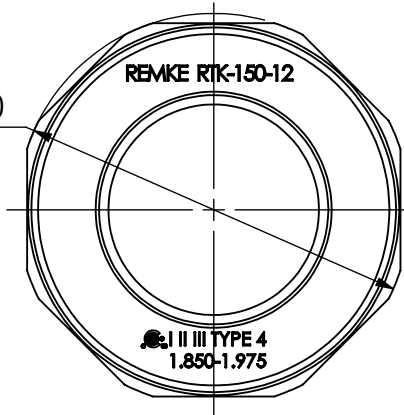
A



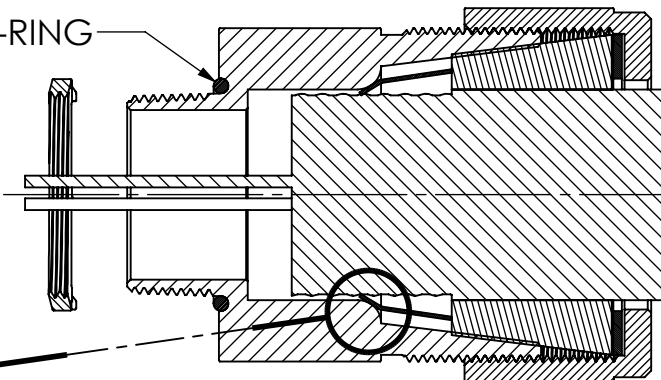
1-1/2 N.P.T.

LOCK NUT
OPTIONAL
ADD: L

Ø 3.680
NUT

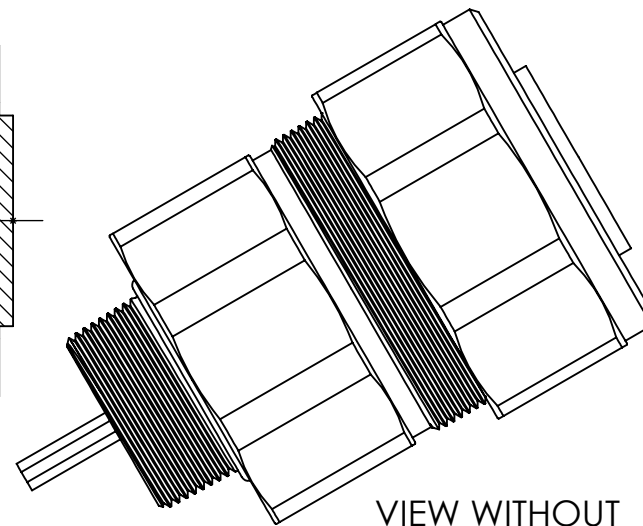


O-RING



DETAIL B
SCALE 4 : 1.8

SECTION A-A



VIEW WITHOUT
LOCK NUT



REV.	DATE	CHANGE
A	12/2/13	DRAWING RELEASED

UNLESS OTHERWISE SPECIFIED:	NAME	DATE
DIMENSIONS ARE IN INCHES	DRAWN	JCN 12/13
TOLERANCES:	CHECKED	
FRACTIONAL ± 1/64	ENG APPR.	
ANGULAR: MACH ± 1° BEND ± 1°	MFG APPR.	
ONE PLACE DECIMAL ± .015	Q.A.	
TWO PLACE DECIMAL ± .010	PROPRIETARY AND CONFIDENTIAL THE INFORMATION CONTAINED IN THIS DRAWING IS THE SOLE PROPERTY OF REMKE INDUSTRIES. ANY REPRODUCTION IN PART OR AS A WHOLE WITHOUT THE WRITTEN PERMISSION OF REMKE INDUSTRIES IS PROHIBITED.	
THREE PLACE DECIMAL ± .005		
INTERPRET GEOMETRIC TOLERANCING PER:		
MATERIAL	ALUMINUM	
FINISH		
DO NOT SCALE DRAWING		

REMKE	
REMKE INDUSTRIES	
310 CHADDICK DR, WHEELING, IL. 60090	
TITLE:	
SIZE	DWG. NO.
A	RTK-150-12
SCALE 1:1.8	SHEET 1 OF 1