

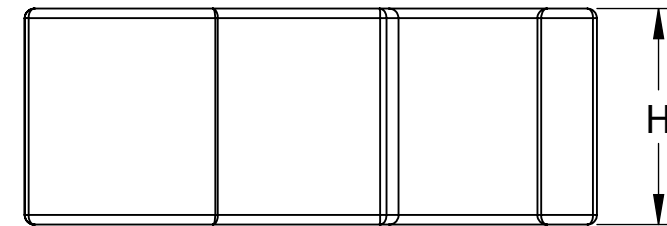
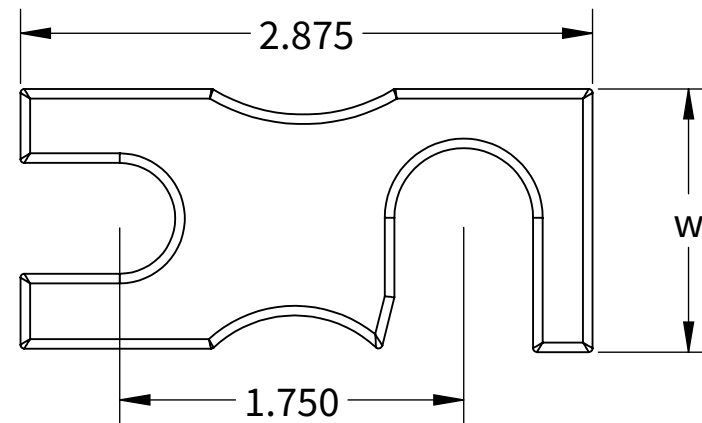
FEATURES:

1. Tin-plated pure aluminum for good conductivity and corrosion resistance
2. Allows for stacking of standard two hole compression lugs and keeps inventories to a minimum.
3. To stack 4-hole NECA drilled terminals, use 2 adapters assembled in parallel.
4. Rating: 600 Volts

Stacking Adapters For Compression Terminals SA-Series

CAT.NO	BOLT SPACING	HEIGHT	WEIGHT	CONNECTOR SIZE RANGE	STD.CTN.QTY.
SA10-400	1.75	0.875	1.00	250-1/0	10
SA500-1000		1.125	1.38	750-1/0	10

DIMENSIONS ARE INCHES AND ARE SUBJECT TO CHANGE WITHOUT NOTICE



UL SPECIFICATIONS: N/A

TO ORDER NSI PRODUCTS CALL
CUSTOMER SERVICE DEPT
@800-321-5847

FOR NAME OF LOCAL SALES AGENT
techteam@nsiindustries.com

FOR PRODUCT INFO: www.nsiindustries.com