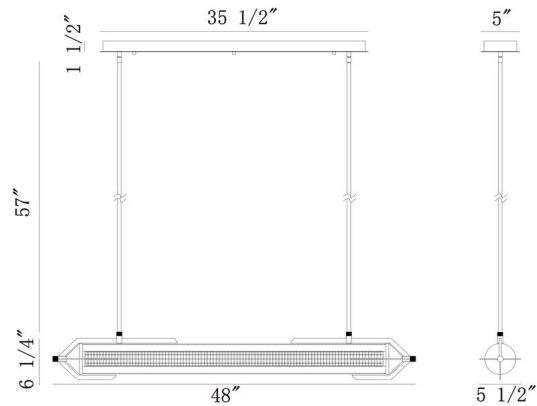


JOB NAME:

DATE:

TYPE:

COMMENTS:



LIGHT INFORMATION

Light Type	Integrated LED
CRI	90
Delivered Lumens	3329
Color Temperature	3000K
LED Lifespan (L70)	20000
Light Direction	Ambient
Dimming Method	Triac/Elv
Current Type	DC
Input Voltage	120
Total Wattage	36

DIMENSIONS & WEIGHT

Length (In)	48
Width (In)	5.25
Height (In)	6.25
Min Height (In)	10.75
Max Height (In)	64.75
Weight (Lbs)	20.94

INSTALLATION

Mounting Type	J-Box
Rating	Dry
Hanging Support Type	Rod

PRODUCT FINISH

Gold

SHADE FINISH

Cylinder Clear Glass

CERTIFICATIONS & COMPLIANCE

