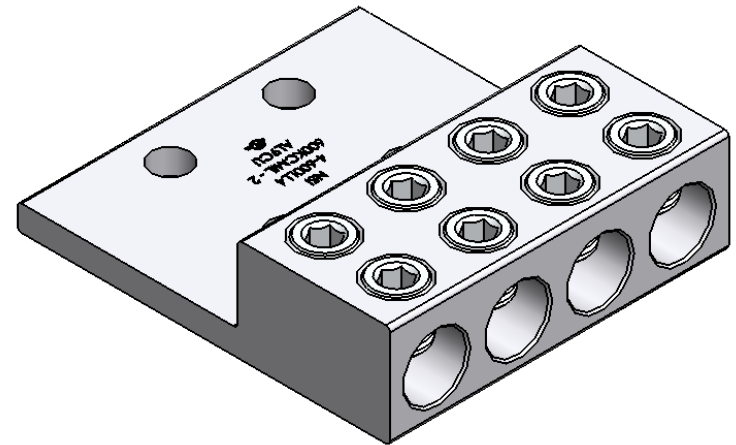
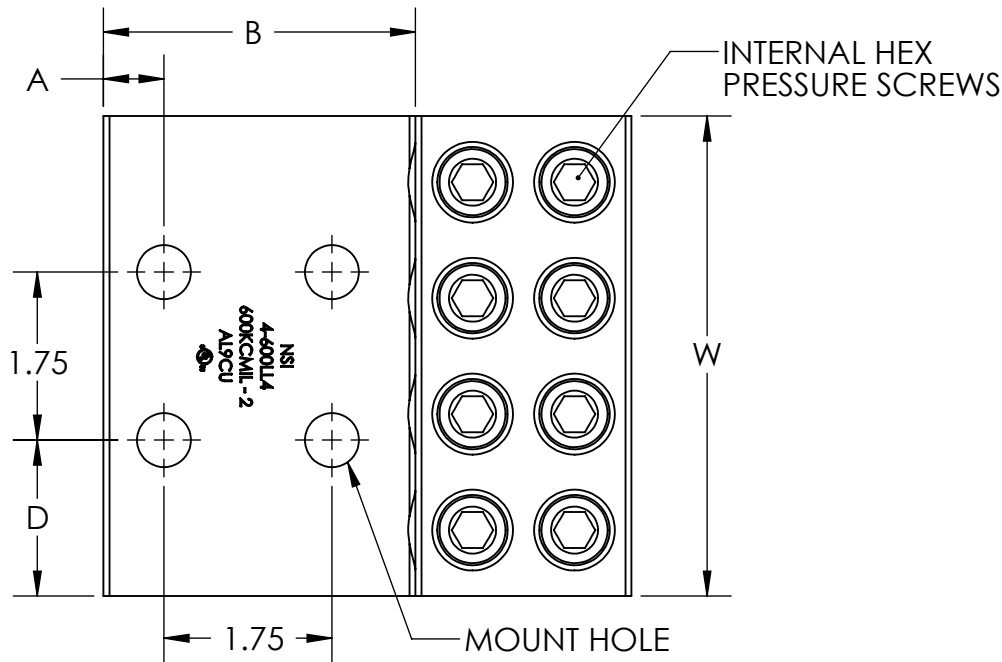




PART	WIRE RANGE	HEX SIZE	L	H	W	A	B	C	D	MOUNT HOLE
4-600LL4	600KCMIL - 2 AWG	3/8	5.50	1.51	5.00	.63	3.25	.38	1.63	9/16
4-800LL4	800 - 300KCMIL	1/2	5.75	1.69	5.38	.63	3.44	.44	1.82	9/16
4-1000LL4	1000 - 500KCMIL	9/16	6.18	1.88	6.19	.63	3.63	.44	2.22	9/16



CONTACT NSi FOR SALES @ 800.321.5847

NOTES:

1. TIN PLATED 6061-T6511 ALUMINUM ALLOY.
2. UL LISTED 90° C FOR COPPER AND ALUMINIUM CONDUCTOR.

NSi **NSi INDUSTRIES, LLC**
TORK USA • 800.321.5847 • www.nsiindustries.com

PROPRIETARY AND CONFIDENTIAL		9730 Northcross Center Court Huntersville, NC 28078	
THE INFORMATION CONTAINED IN THIS DRAWING IS THE SOLE PROPERTY OF POLARIS SALES CO. INC. ANY REPRODUCTION IN PART OR AS A WHOLE WITHOUT THE WRITTEN PERMISSION OF POLARIS SALES CO. INC. IS PROHIBITED.		TITLE: NSi 4 PORT HEAVY DUTY LUGS NEMA MOUNT SERIES	
NAME		DWG. NO.	
DRAWN BY	DATE	4-_LL4-SERIES	
S.PARRY	9/20/2012		
MATERIAL: SEE NOTE		SCALE: 1:2	SHEET: 1 OF 1