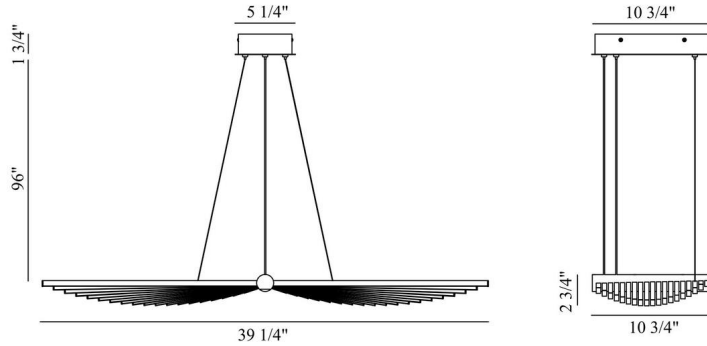


JOB NAME:

DATE:

TYPE:

COMMENTS:



## LIGHT INFORMATION

|                    |                |
|--------------------|----------------|
| Light Type         | Integrated LED |
| CRI                | 90             |
| Delivered Lumens   | 1192           |
| Color Temperature  | 3000K          |
| LED Lifespan (L70) | 20000          |
| Light Direction    | Down           |
| Dimming Method     | Triac/Elv      |
| Current Type       | DC             |
| Input Voltage      | 120            |
| Total Wattage      | 57             |

## DIMENSIONS & WEIGHT

|                 |       |
|-----------------|-------|
| Length (In)     | 39.25 |
| Width (In)      | 10.75 |
| Height (In)     | 2.75  |
| Min Height (In) | 24.5  |
| Max Height (In) | 100.5 |
| Weight (Lbs)    | 8.57  |

## INSTALLATION

|                      |                |
|----------------------|----------------|
| Mounting Type        | J-Box          |
| Rating               | Dry            |
| Hanging Support Type | Aircraft Cable |

## PRODUCT FINISH

Matte Gold

## CERTIFICATIONS & COMPLIANCE

