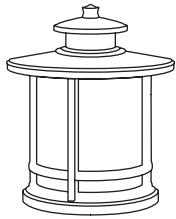


# NEBO<sup>®</sup> PATH LIGHT



**A** Light Body (1)

**B** Light Post (1)

**C** Connector Clip (1)

**D** Ground Stake (1)

## ASSEMBLY AND INSTALLATION



**WARNING:** Never use a hammer to insert the light into the ground.



**WARNING:** The wire connector (C) contacts have sharp edges for piercing the main low voltage cable. To avoid injury, do not touch the metal contacts.

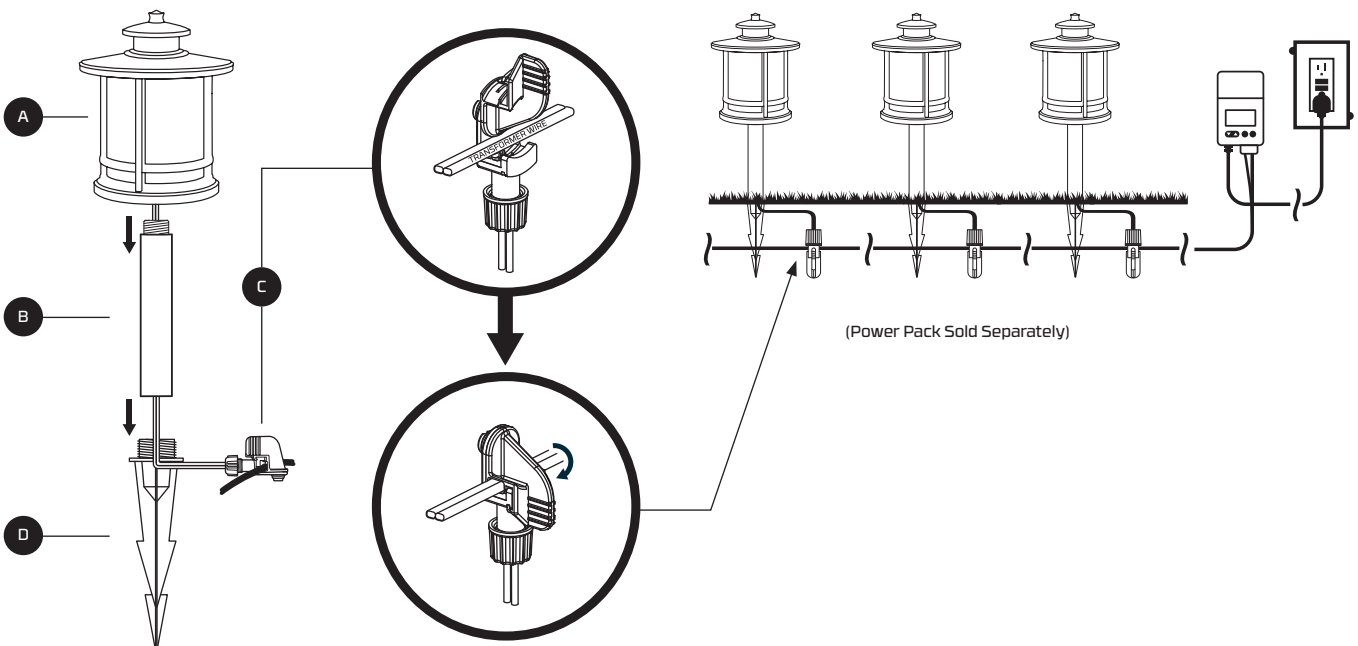


**CAUTION:** The wire from low voltage power unit should be 12-18 AWG type underground Low Energy Circuit Cable.



**IMPORTANT:**

- Do not submerge the fixture in water.
- Do not install the fixture within 10 ft. of water.
- The landscape wire can also be hidden under surface.
- Protect the wiring by routing it in close proximity to the light fixture, or next to a building structure.



### 1. Preparation

- Before beginning assembly of product, make sure all parts are present. Compare parts with package contents list. If any part is missing or damaged, do not attempt to assemble the product.
- Estimated installation time: 10-15 minutes.
- No Tools Required for Assembly.

### 2. Assembly

- Screw together the light body (A) and the ground stake (D) as shown above. Ensure the wire goes through the center of the stake.

### 3. Installation

- Determine the location of your light. Dig a small starter hole in the ground with a screw driver or trowel.
- Press the stake into the hole until the light is secure, but can still be adjusted.
- Dig a small trench from the light to the transformer wire.
- Secure the connector clip (C) to the transformer wire, as shown above.
- Test the connection by turning on the lights. Make any desired adjustments.
- Secure the light in the ground and fill in the trenches with dirt.

## CARE AND CLEANING

Before Cleaning, Disconnect the power to the fixture by unplugging the fixture.

Clean the fixture with a soft damp cloth.	Do not use any cleaners with chemicals, solvents or harsh abrasives.
---	--

## TROUBLESHOOTING

Problem	Possible Cause	Solution
The fixture will not light.	There is no power. There is a disconnect or break in the wire.	Check the outlet and ensure that a breaker or GFCI circuit has not been tripped.
	The transformer setting is incorrect.	Follow the wires from the fixture and ensure continuity back to the transformer.  Check the settings on the transformer.
The light flickers (one only)	There is a loose connection to the fixture.	Repair the loose connection and ensure proper contact.
The lights flicker (all)	There is a loose connection at the transformer.	Unplug the transformer from the outlet and visually inspect the positive and negative connecting points. Each wire should securely be screwed in and ot contact with each other.

## CABLE SELECTION

12 VOLT TAP	CABLE LENGTH		
Total Fixture Wattage	0-50 feet	51-100 feet	101-150 feet
0-60 Watts	16 AWG	16 AWG	14 AWG
61-120 Watts	16 AWG	14 AWG	12 AWG
121-180 Watts	14 AWG	12 AWG	Not Recommended
181-240 Watts	14 AWG	12 AWG	Not Recommended
241-300 Watts	12 AWG	Not Recommended	Not Recommended
600W Transformer = (2x300) Watts	12 AWG	Not Recommended	Not Recommended
900W Transformer = (3x300) Watts	12 AWG	Not Recommended	Not Recommended

15 VOLT TAP	CABLE LENGTH		
Total Fixture Wattage	0-50 feet	51-100 feet	101-150 feet
0-60 Watts	16 AWG*	16 AWG	16 AWG
61-120 Watts	16 AWG*	16 AWG	12 AWG
121-180 Watts	14 AWG*	14 AWG	12 AWG
181-240 Watts	14 AWG*	14 AWG	12 AWG
241-300 Watts	12 AWG*	12 AWG	Not Recommended
600W Transformer = (2x300) Watts	12 AWG*	12 AWG	Not Recommended
900W Transformer = (3x300) Watts	12 AWG*	12 AWG	Not Recommended

\* NOT RECOMMENDED FOR HALOGEN LANDSCAPE LIGHTS

This data is provided as a general guideline. Actual performance will depend on the installation layout, the fixtures, and the condition of the cable.

NOTE: Most LED landscape lighting fixtures can operate with full illumination down to as little as 8VAC. It is possible to have extended length runs with LED fixtures that go beyond the specifications shown in the guidelines above.

## PRODUCT GUARANTEE

If you experience a problem, please do not return to your local store. Contact our Customer Service team at **800-255-6061**



For more information, detailed video instructions, and warranty registration, visit **NEBOLIGHTS.com**